

FIG. 1a

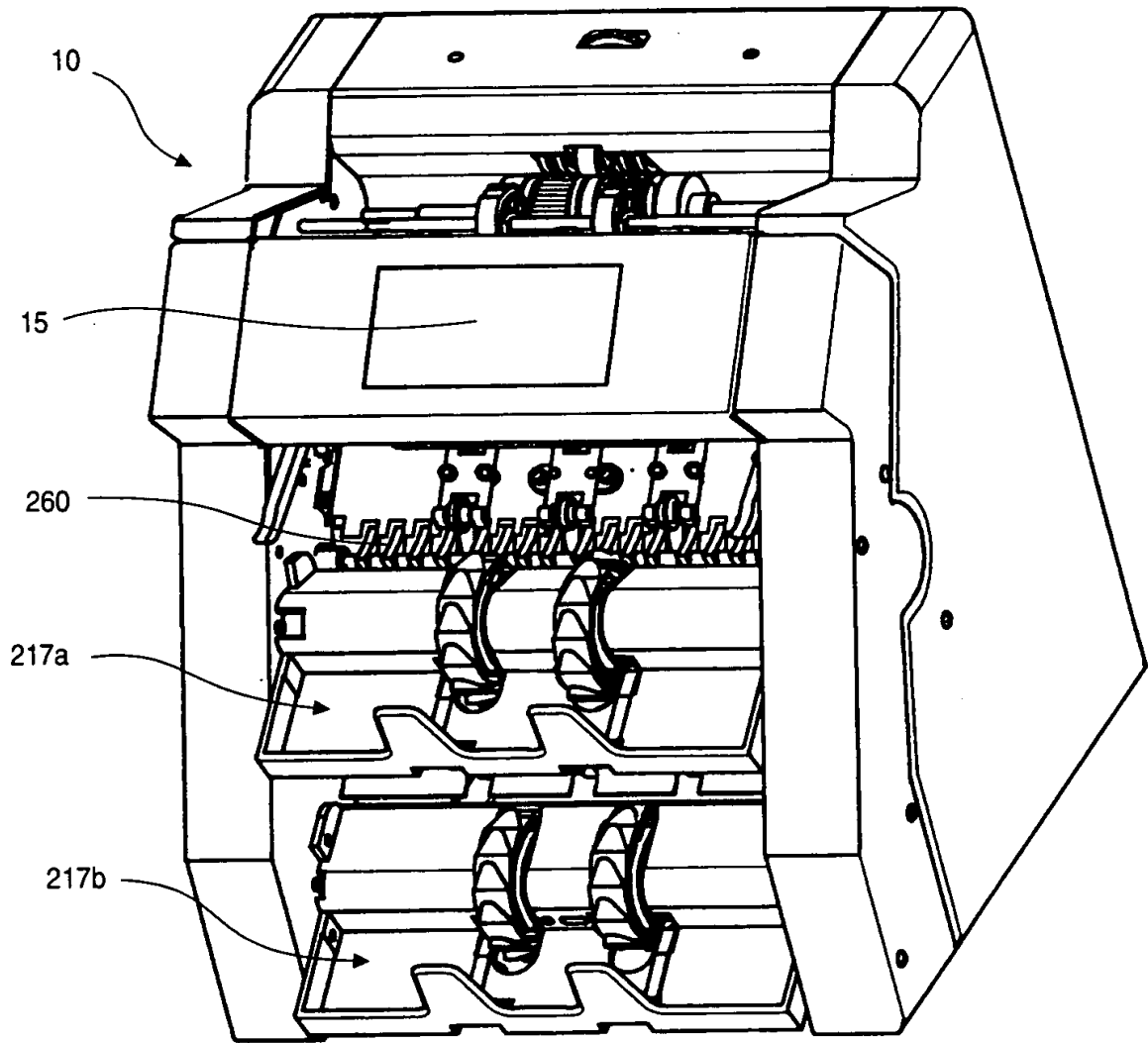


FIG. 1b

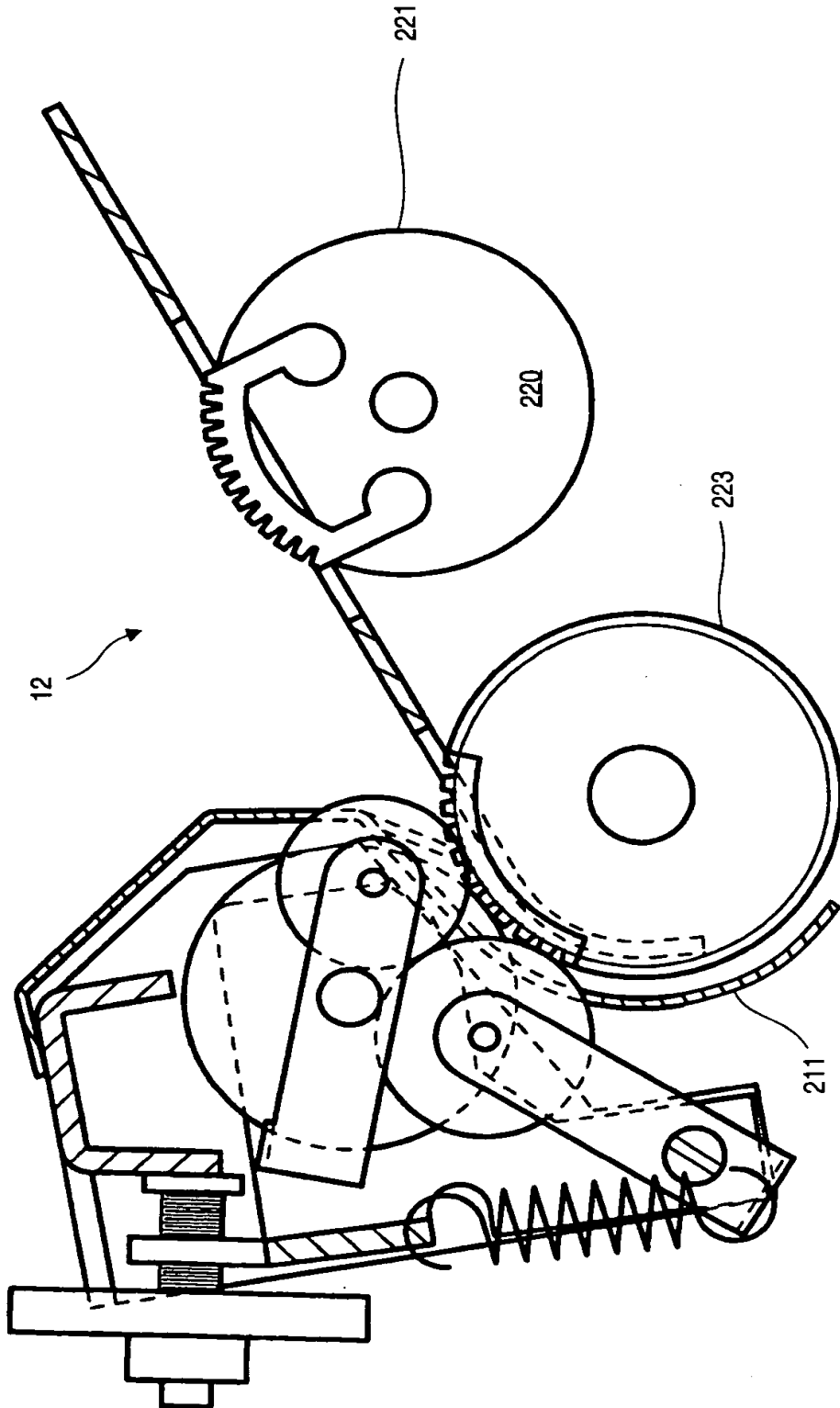


FIG. 3

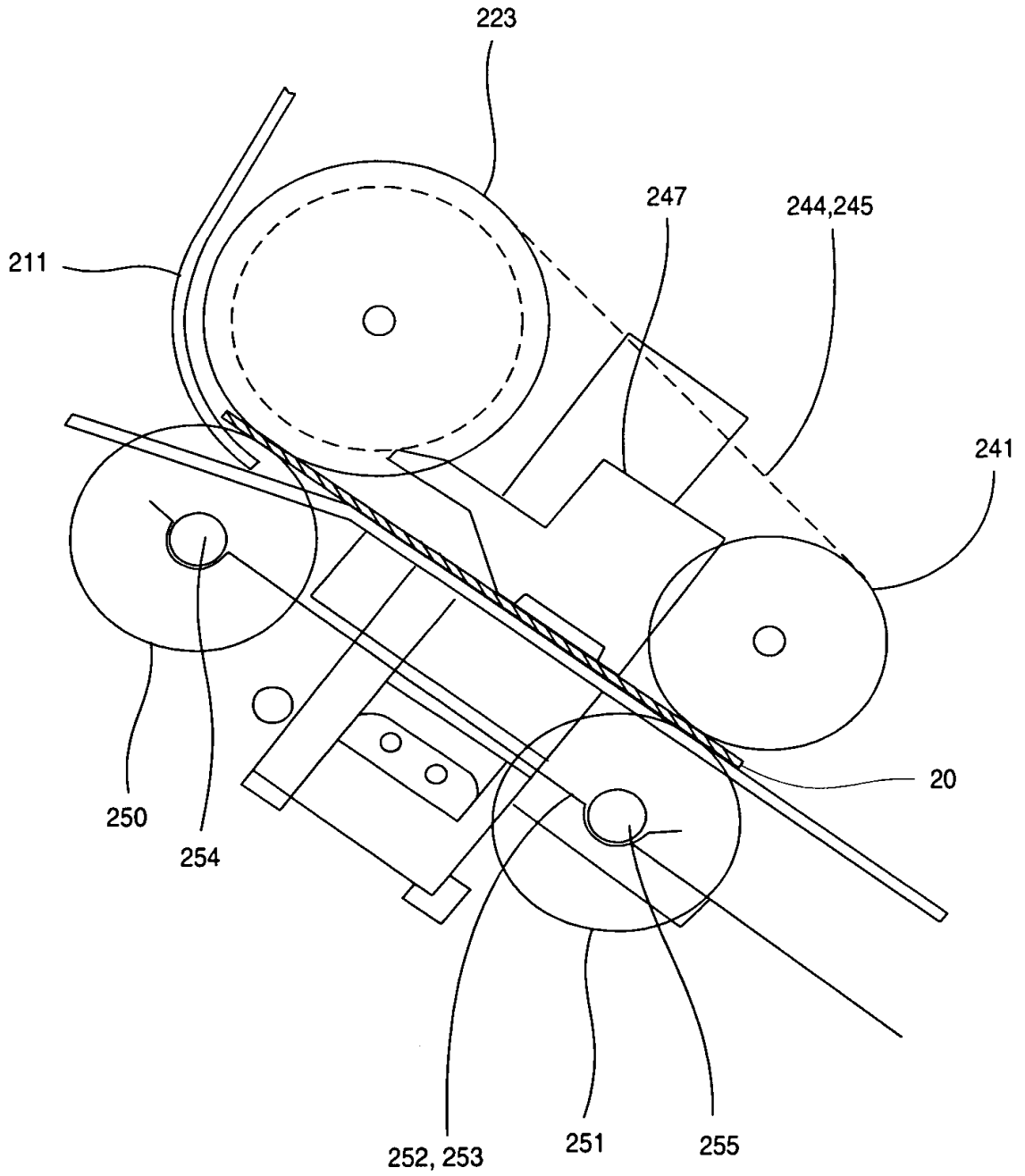


FIG. 4

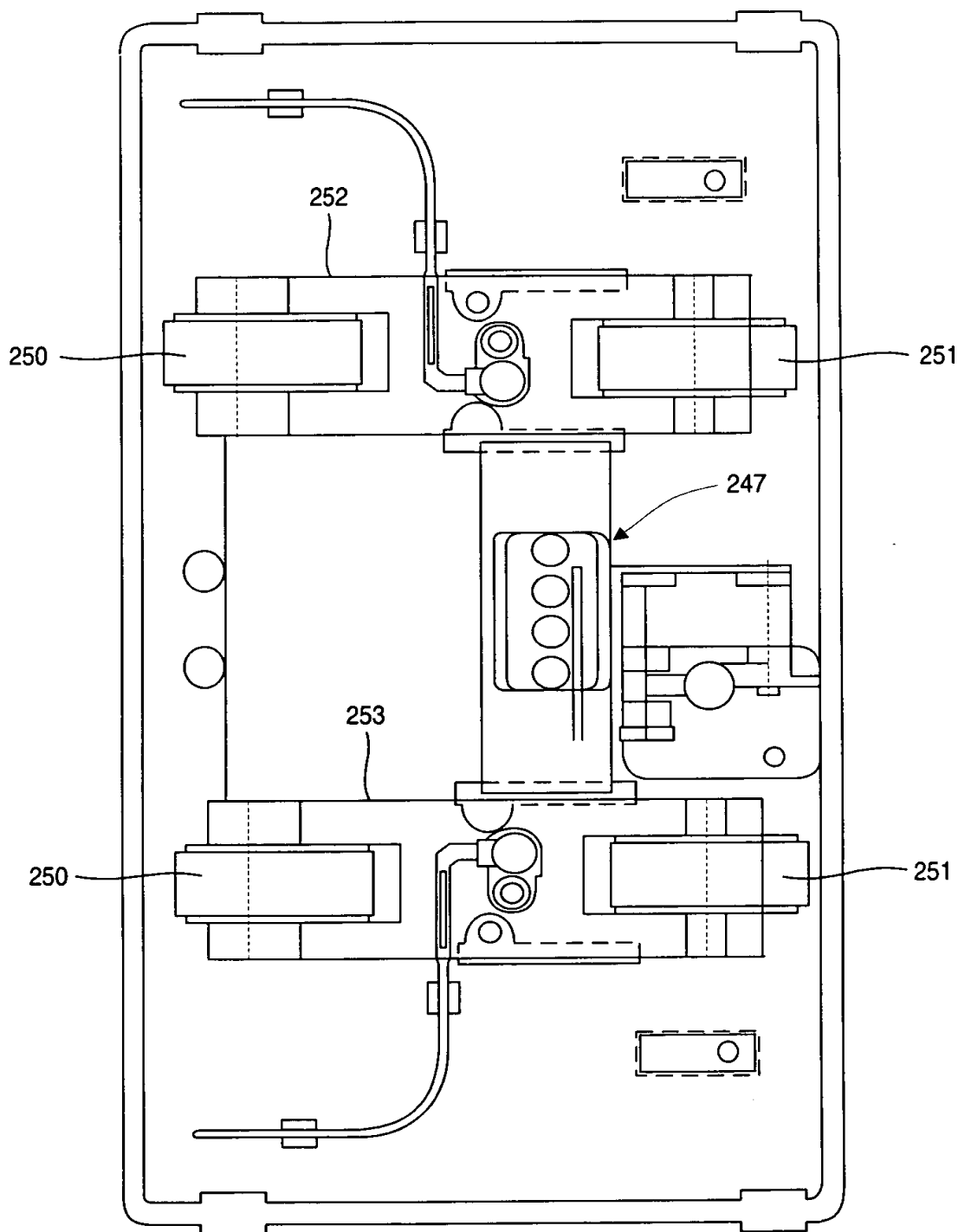


FIG. 5

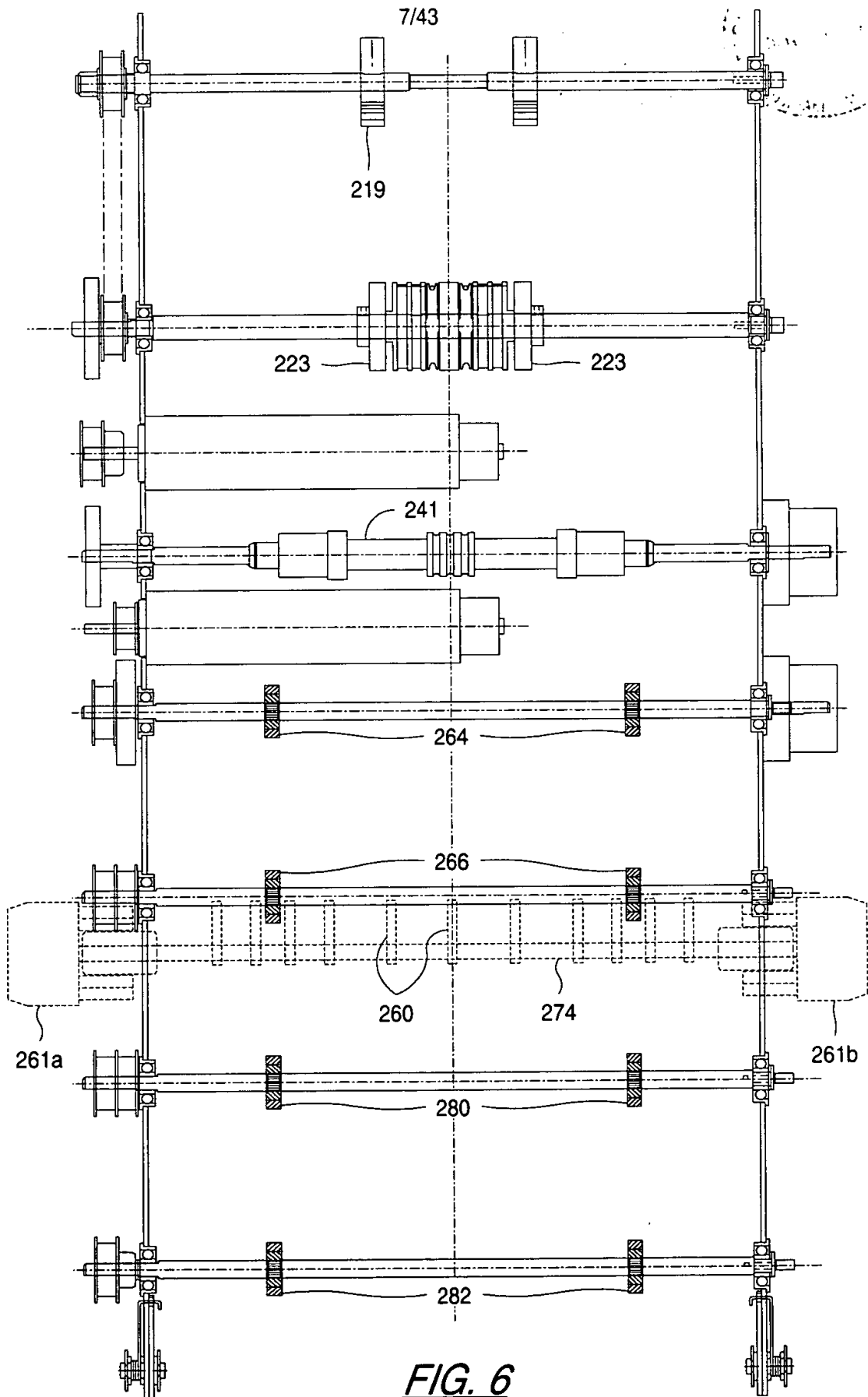
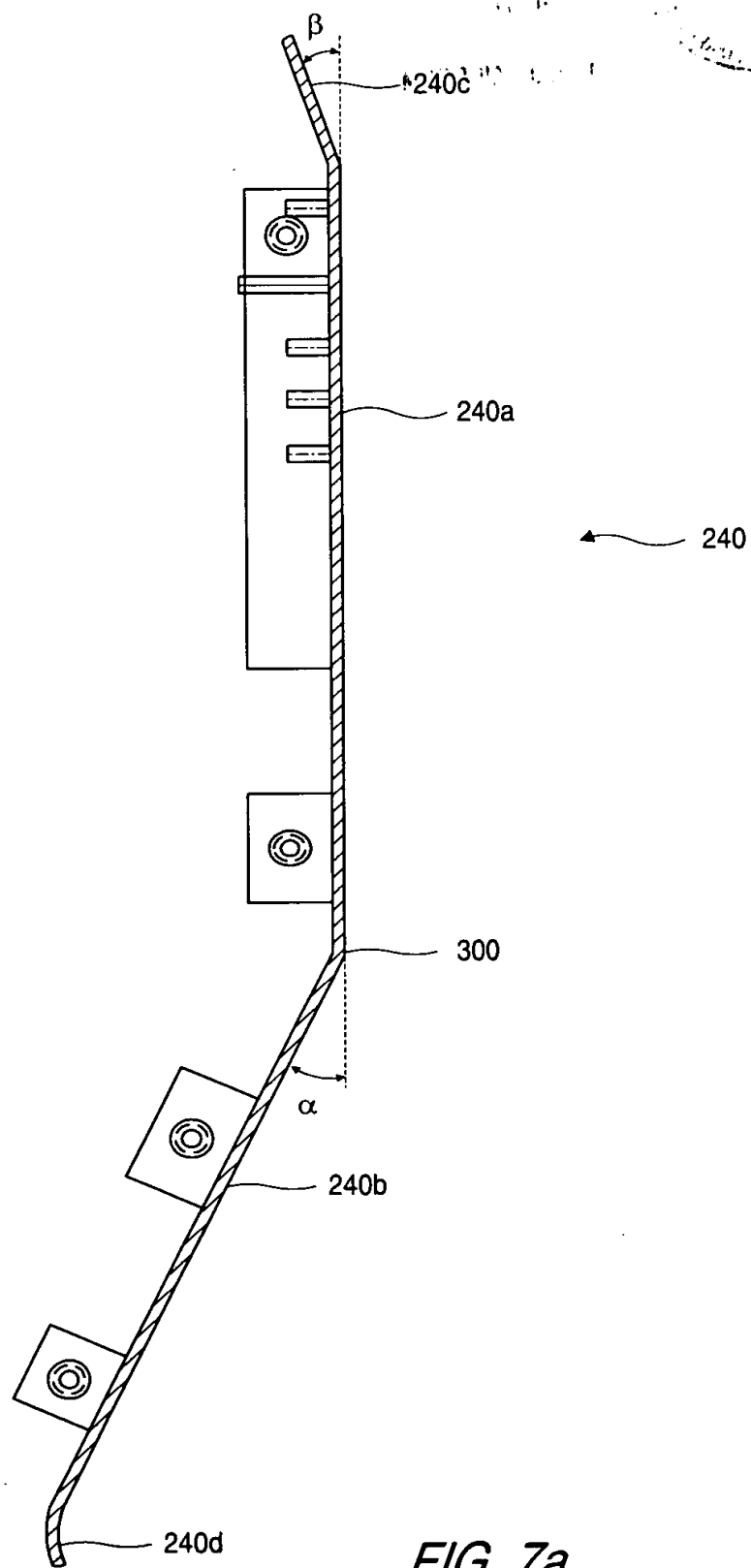


FIG. 6

8/43



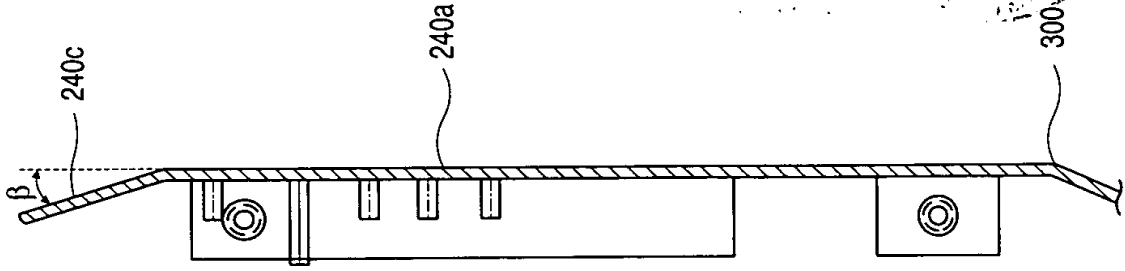


FIG. 7c

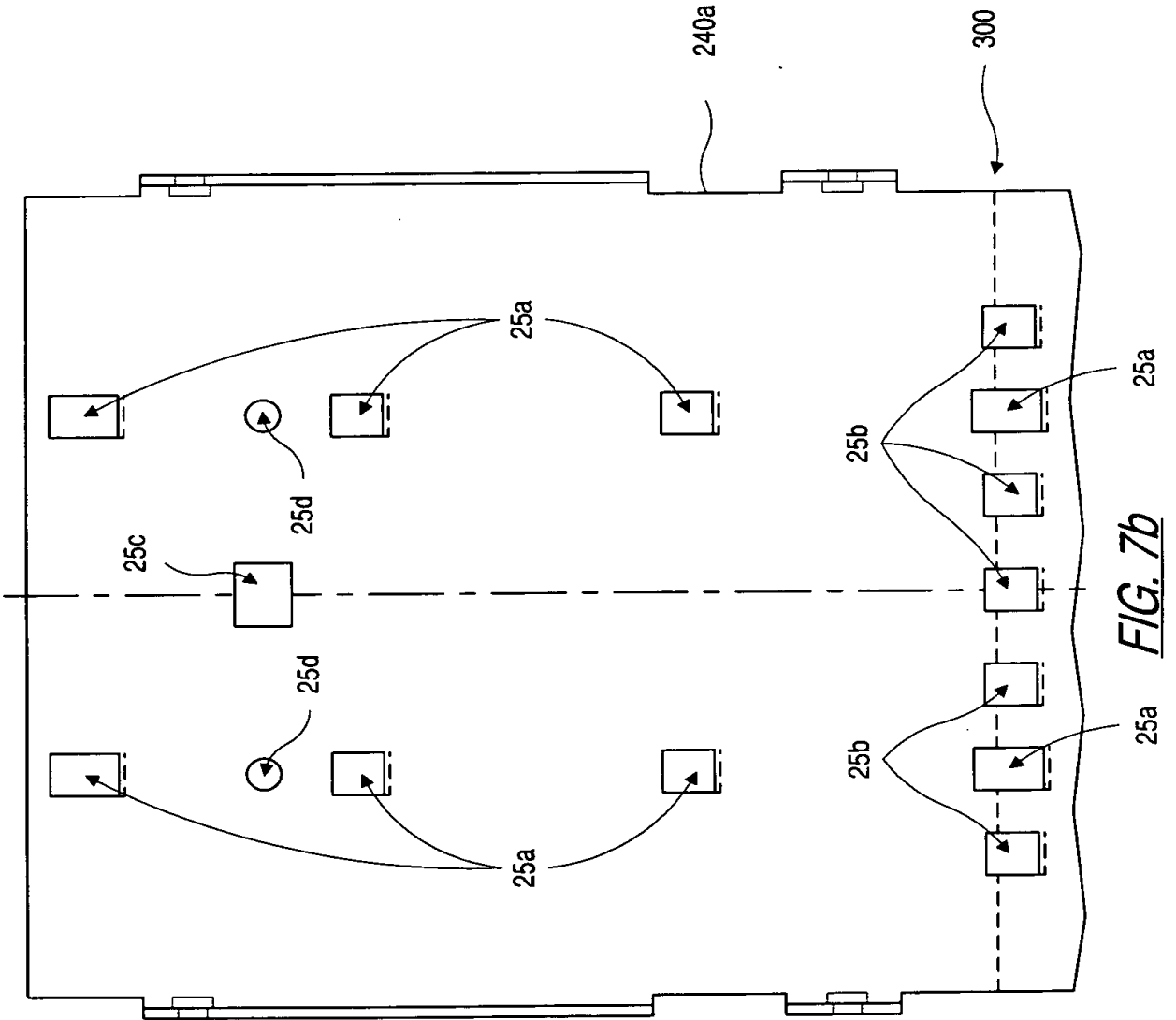


FIG. 7b

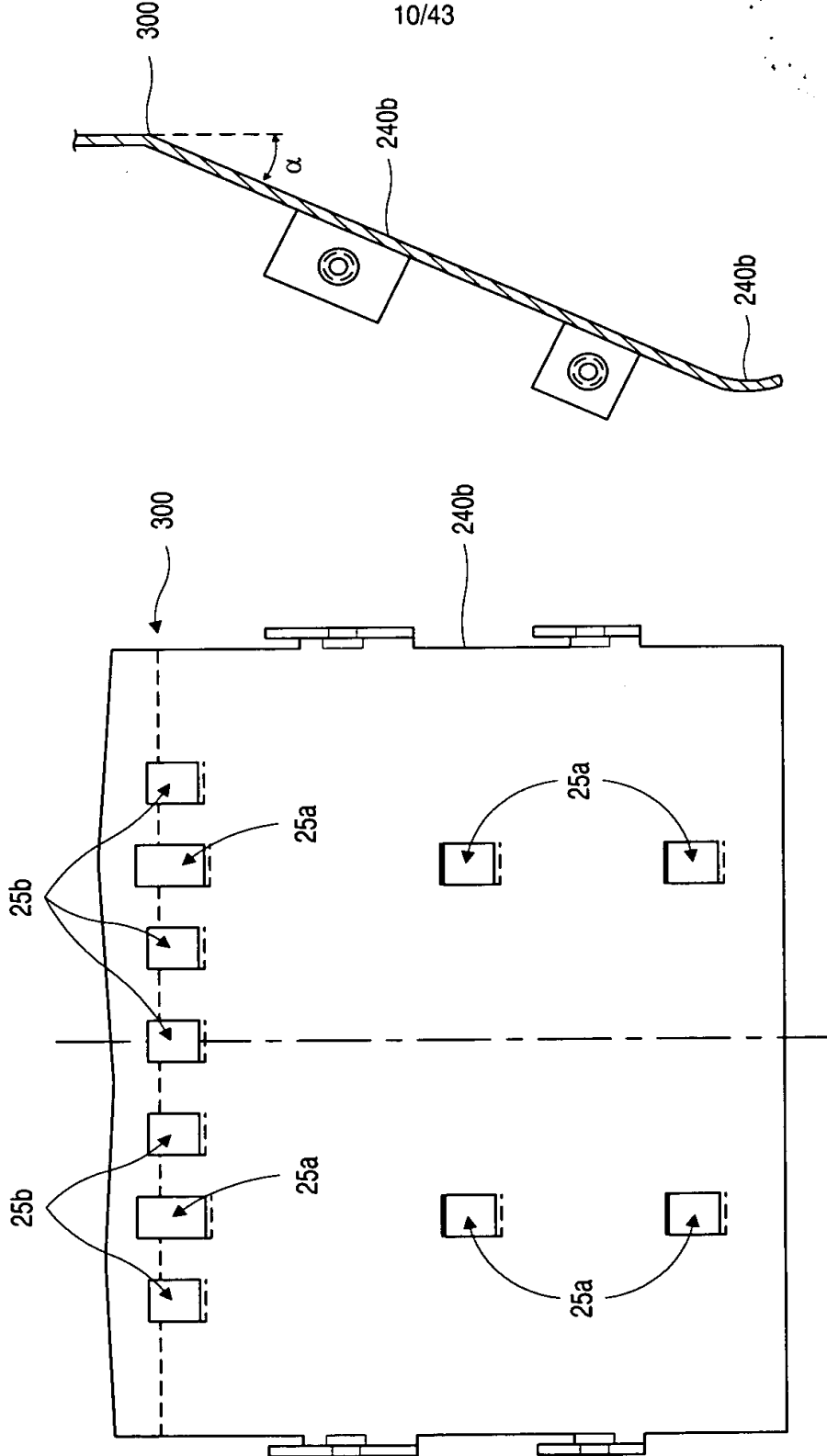
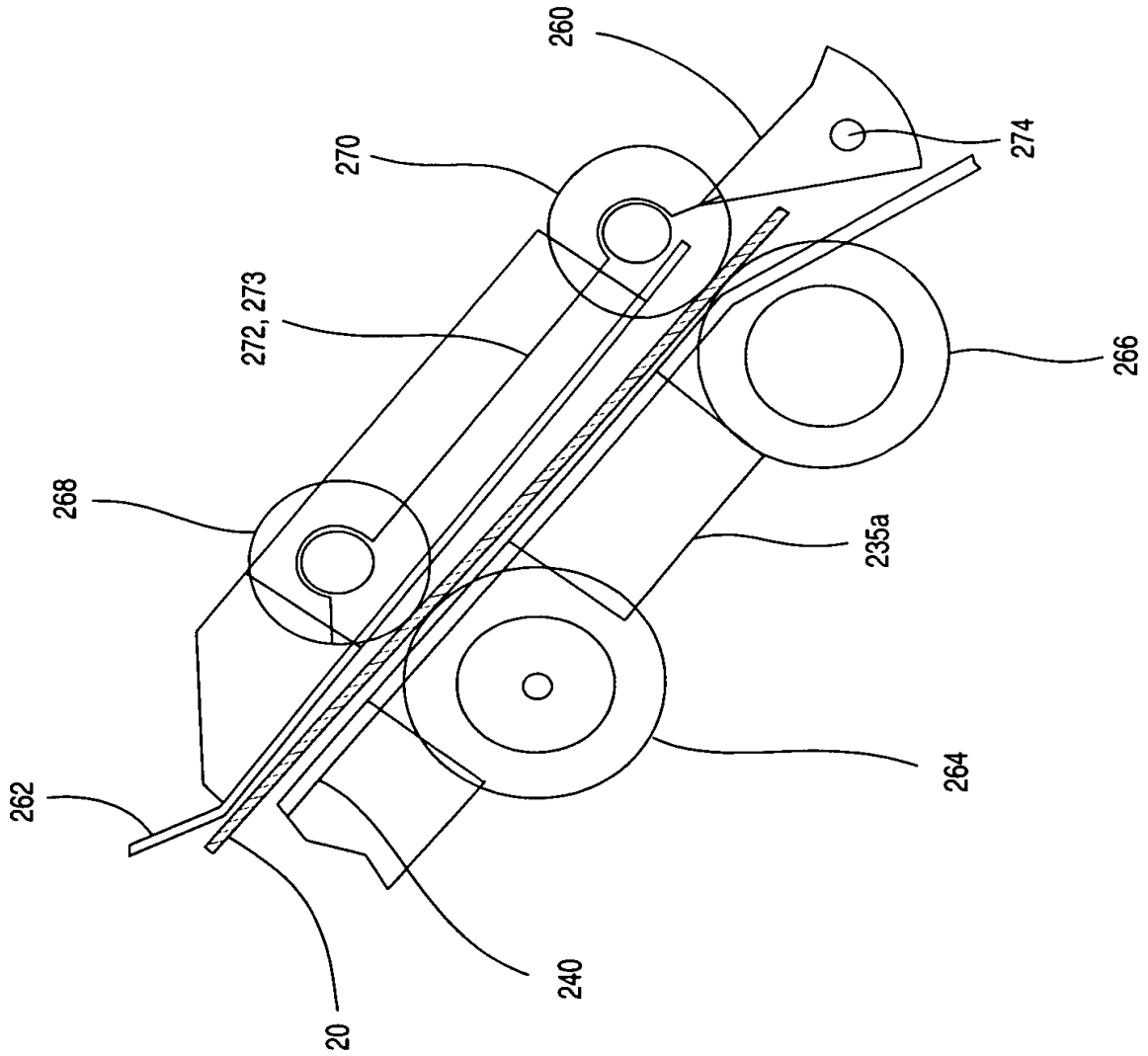
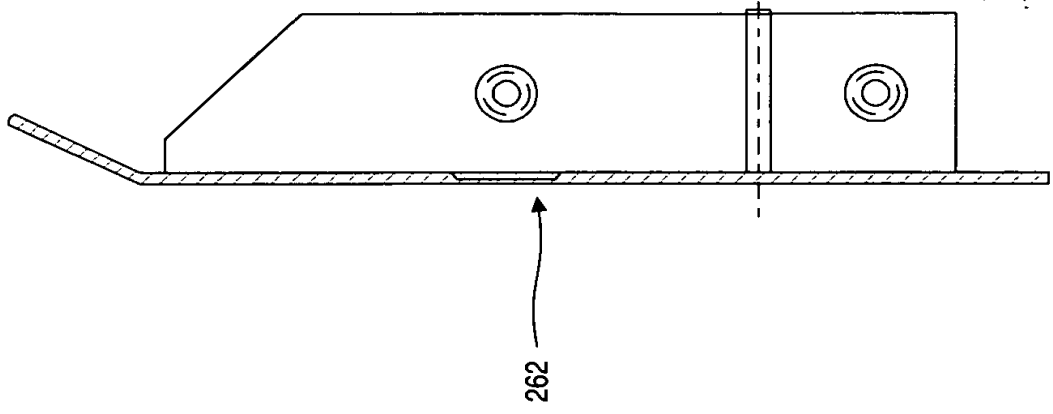


FIG. 7e

FIG. 7d



12/43

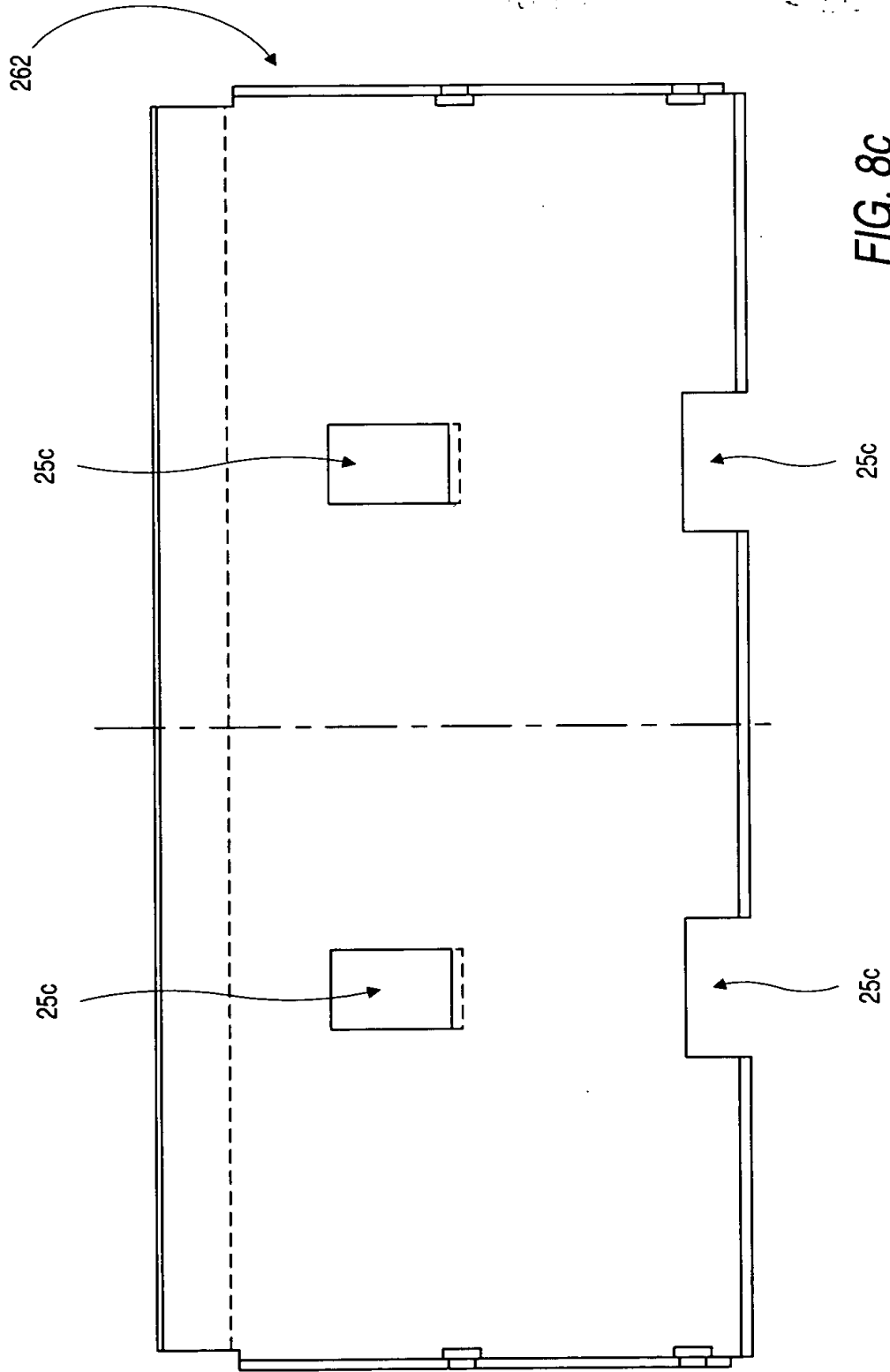


FIG. 8C

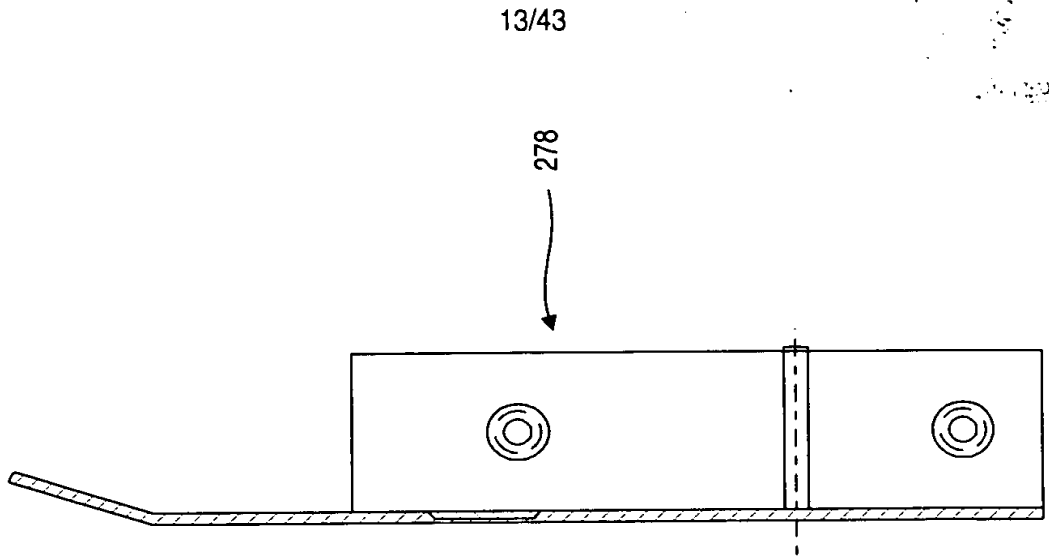


FIG. 9b

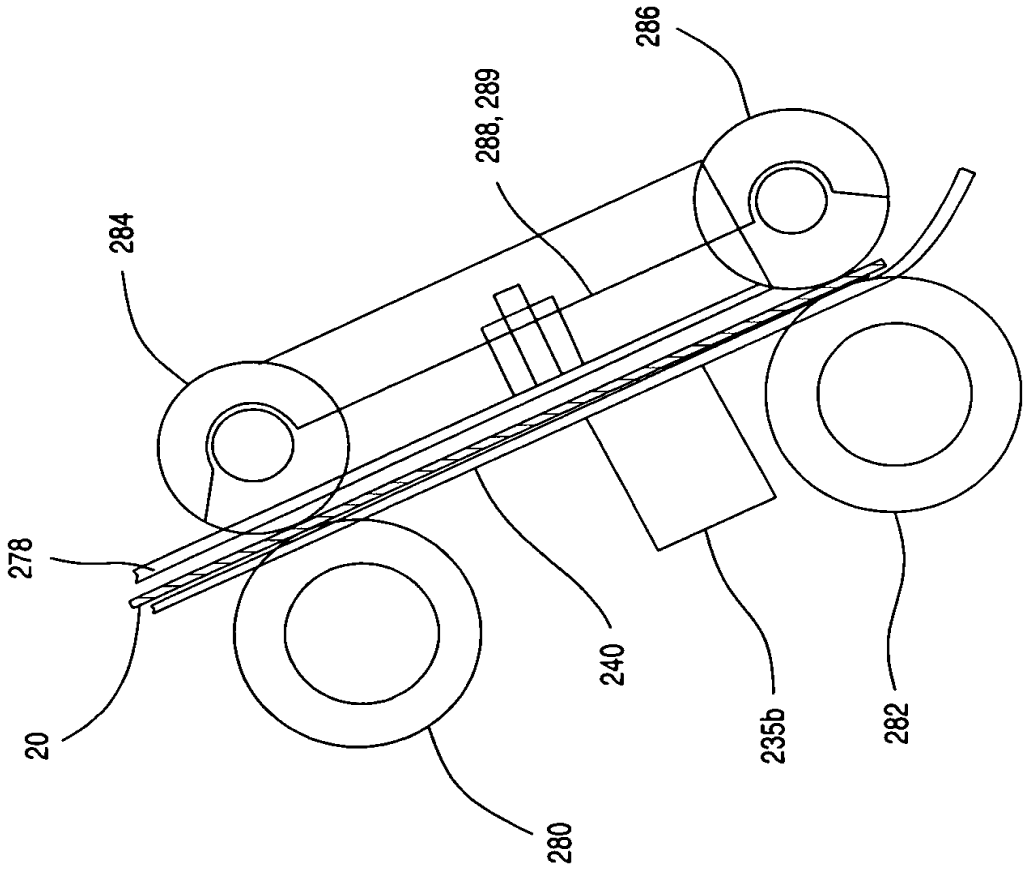


FIG. 9a

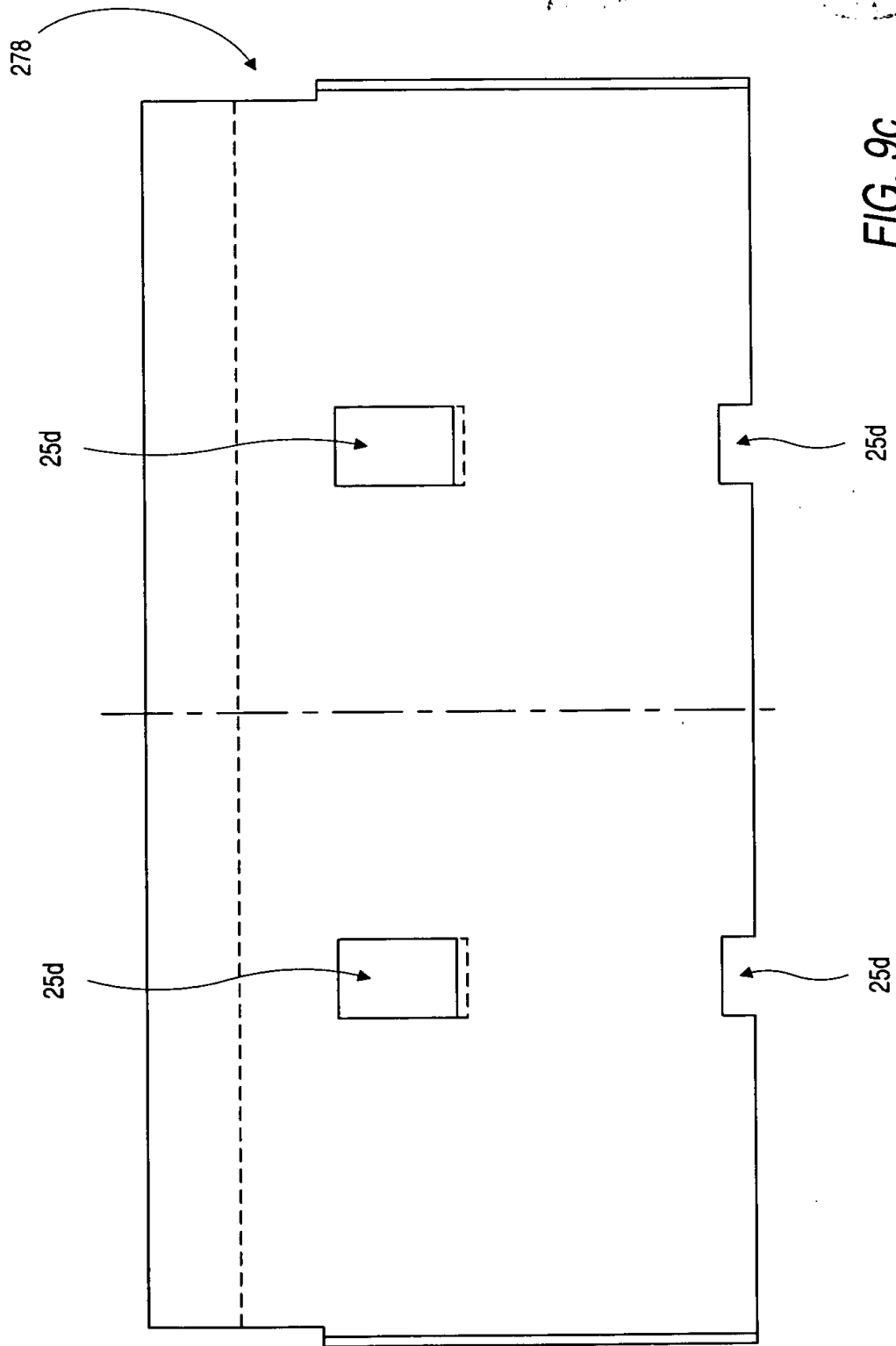


FIG. 9C

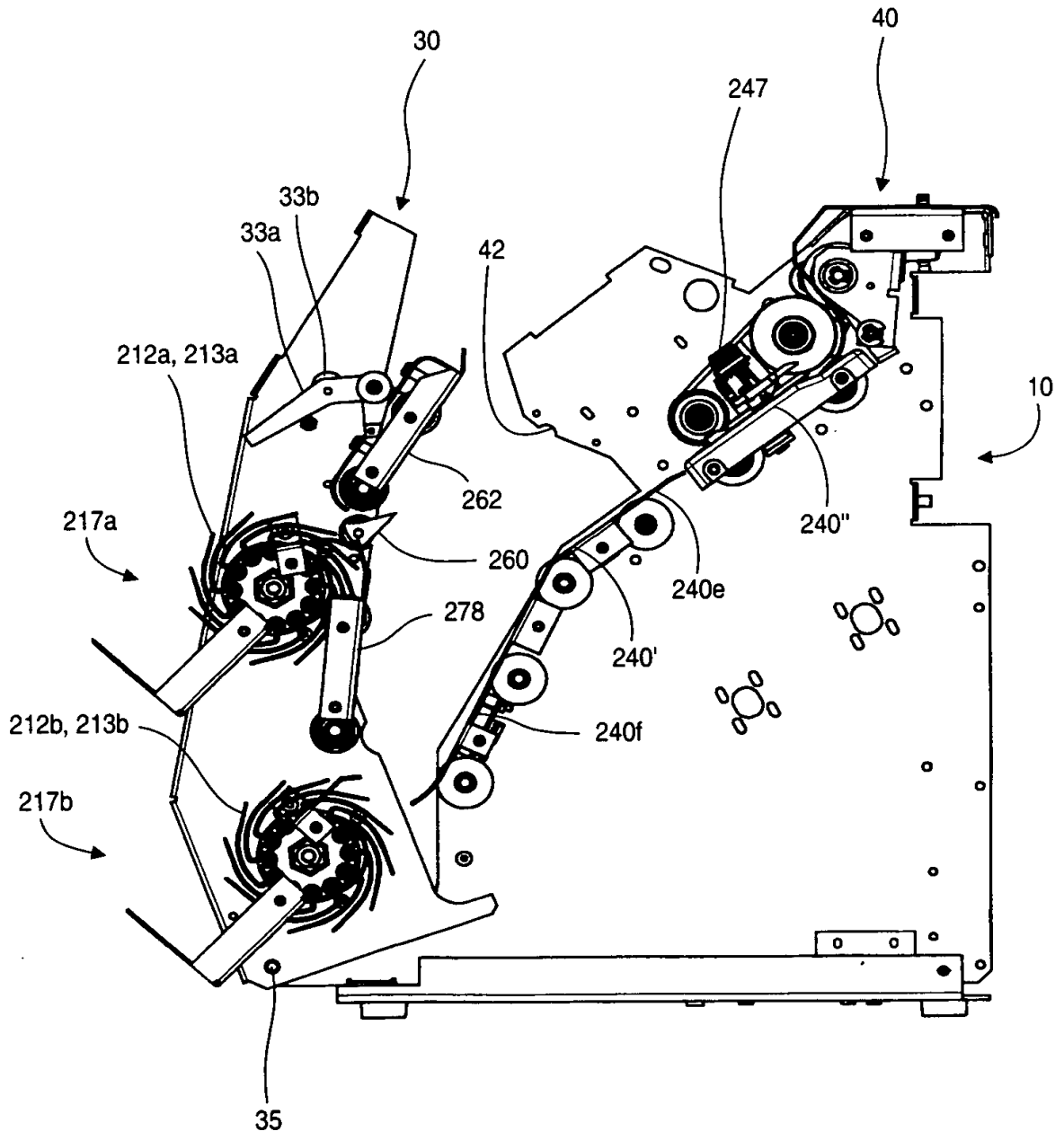
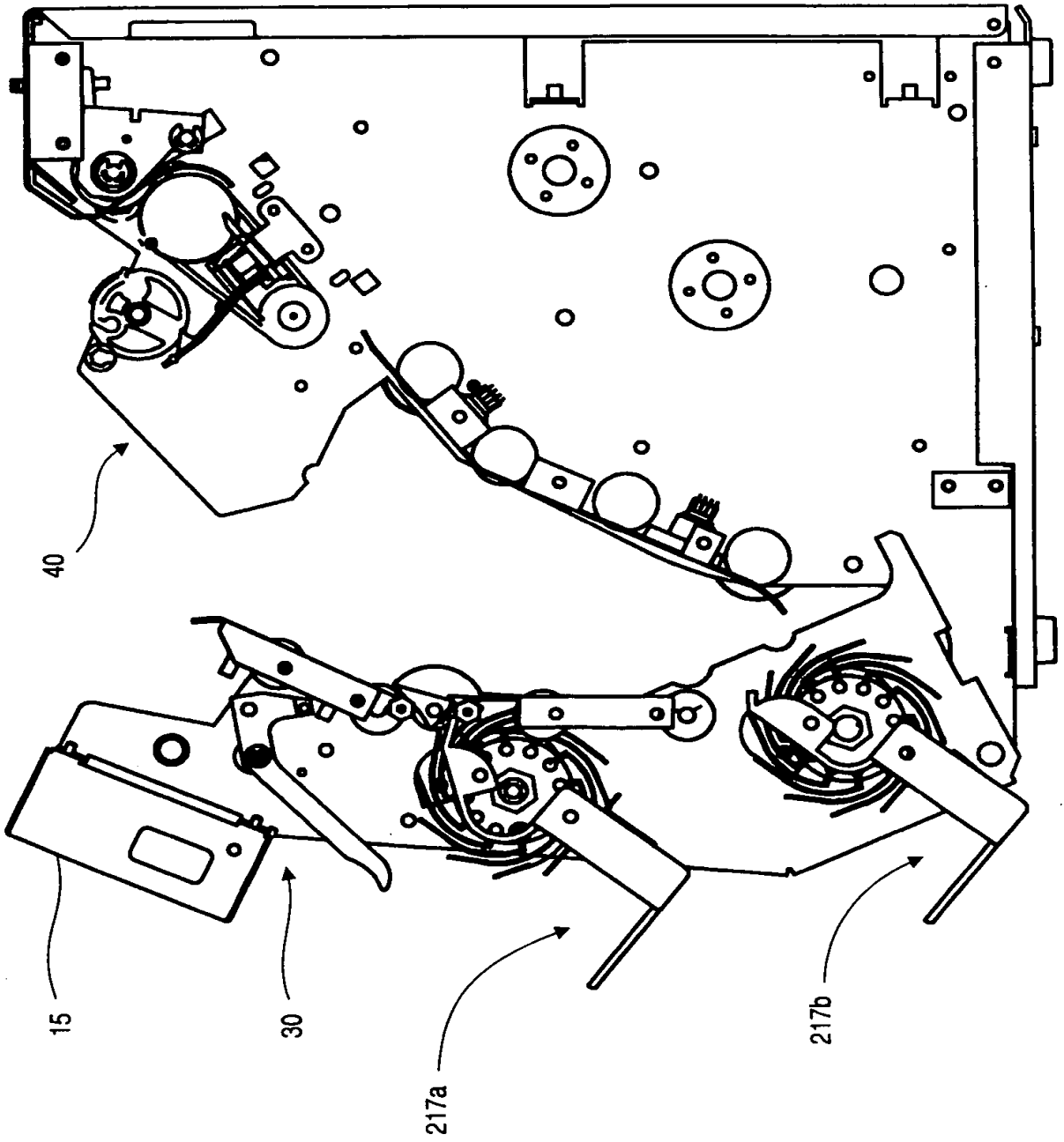


FIG. 10a

FIG. 10b



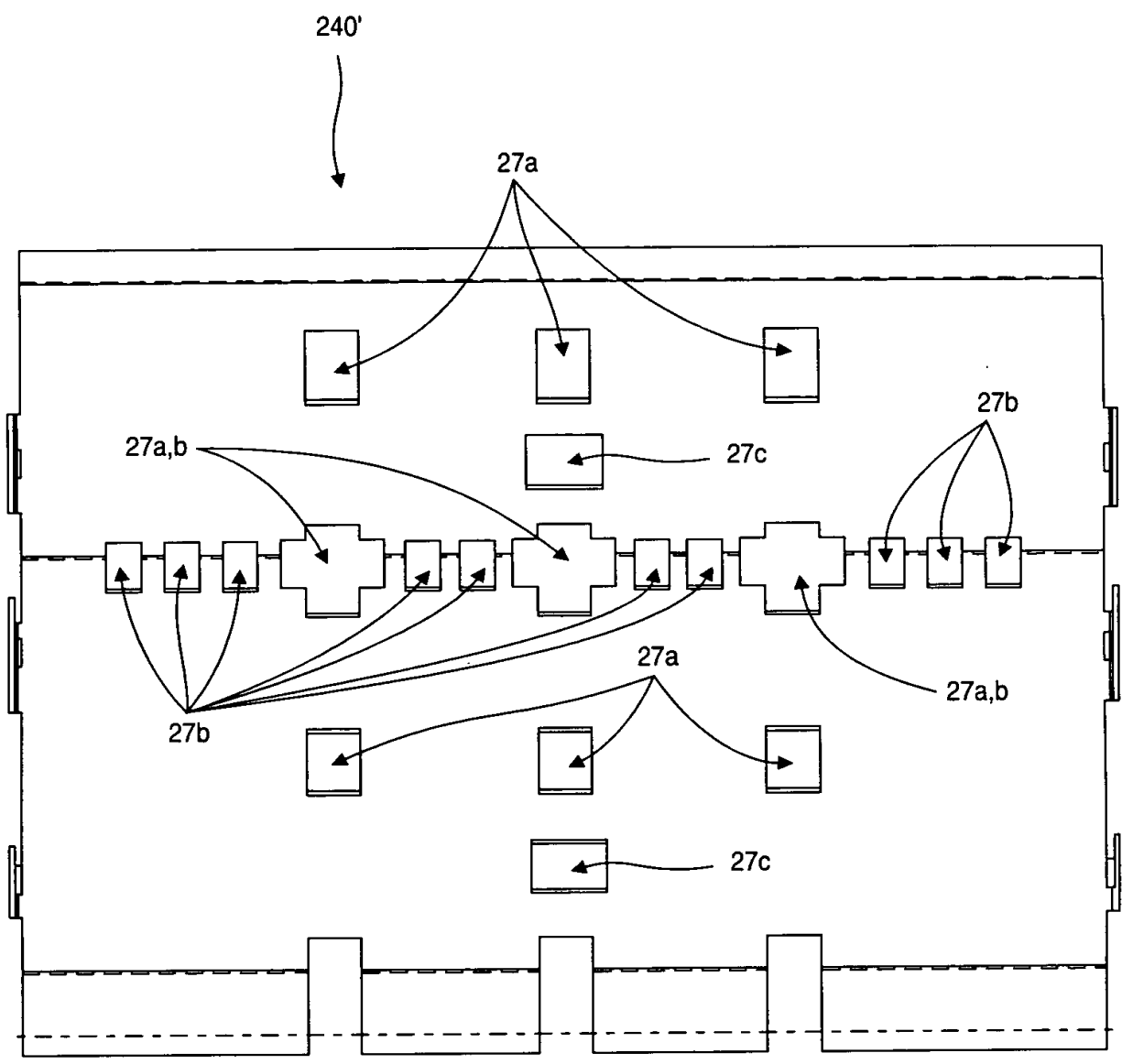


FIG. 11a

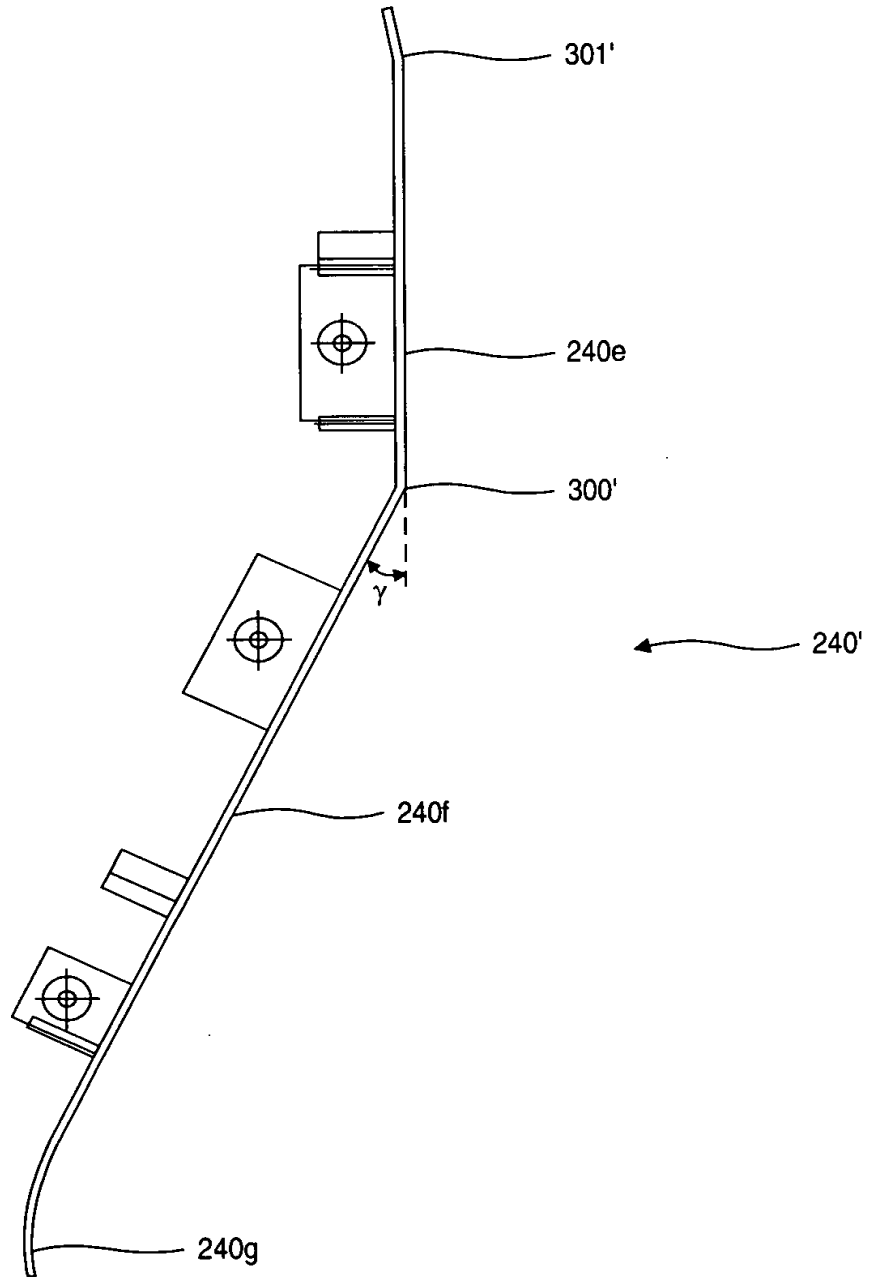


FIG. 11b

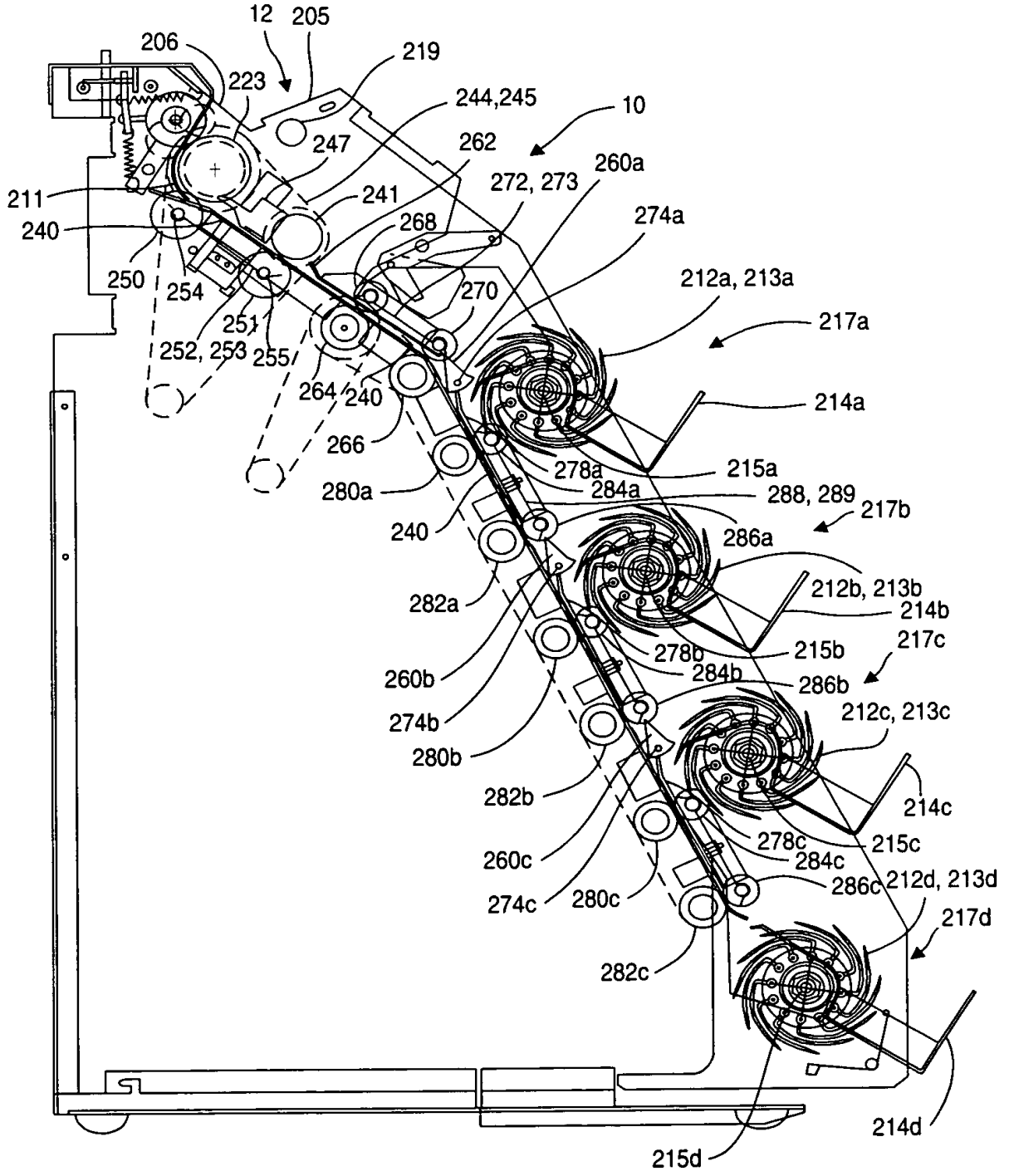


FIG. 12b

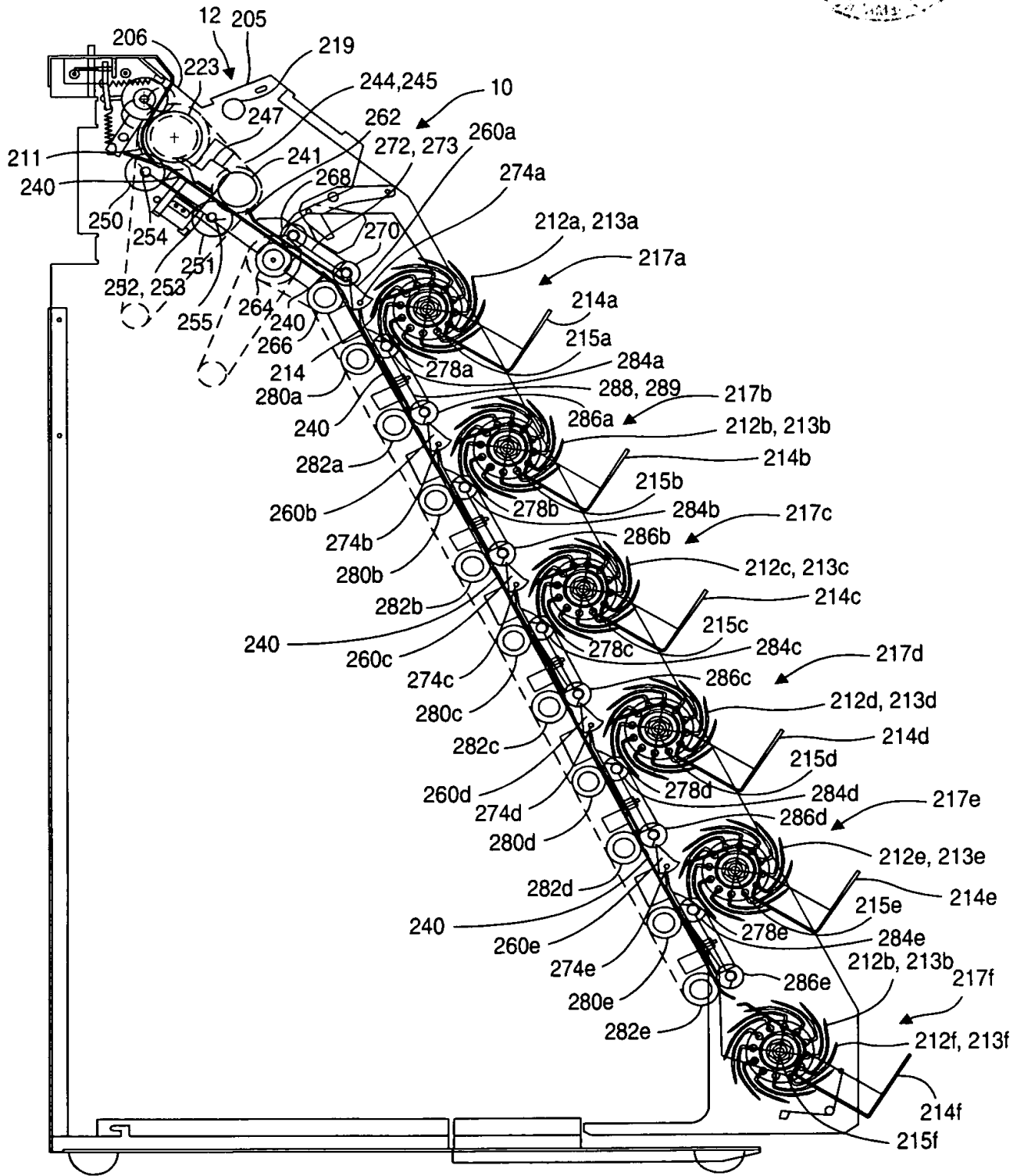
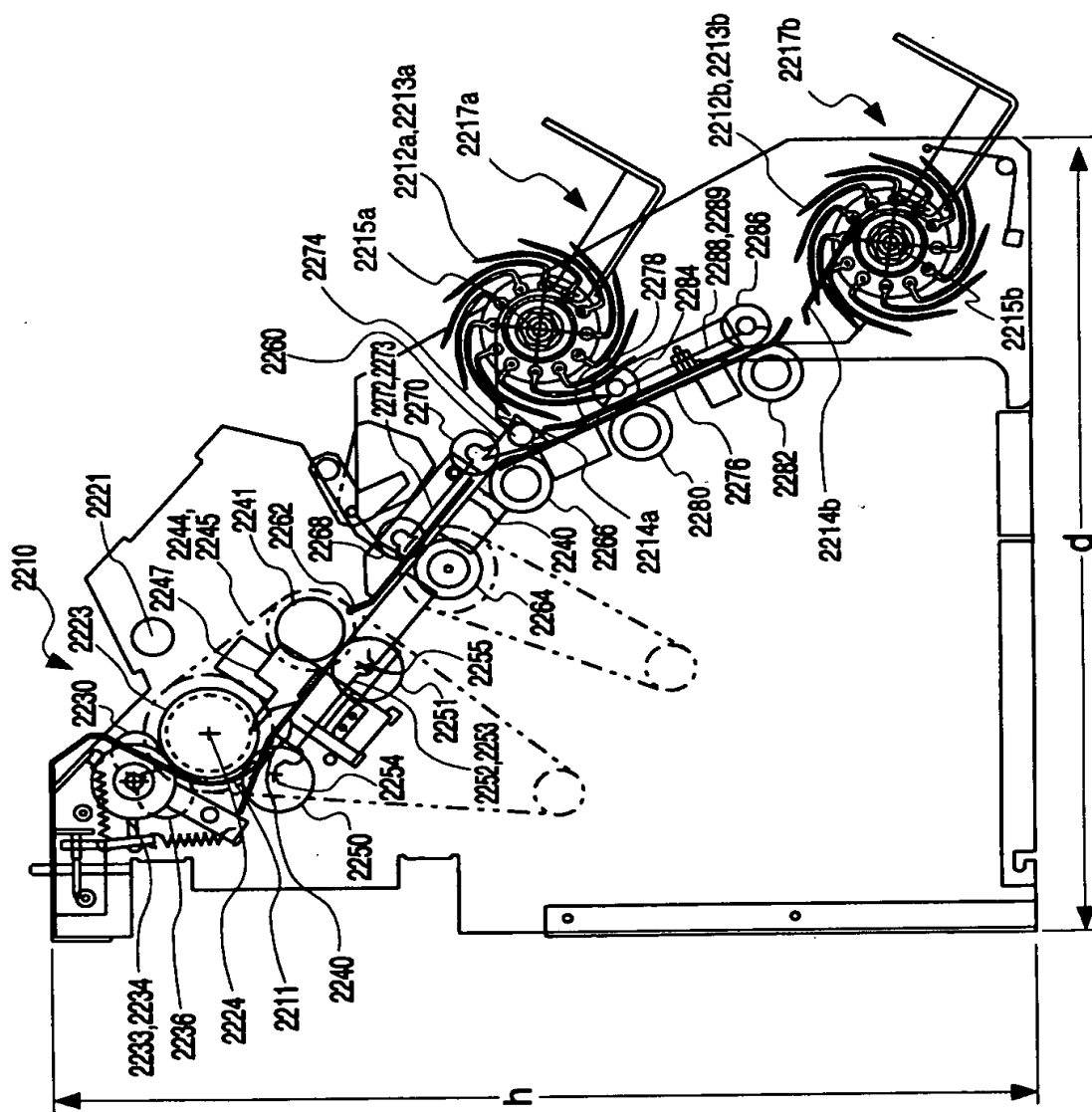


FIG. 12c

FIG. 13



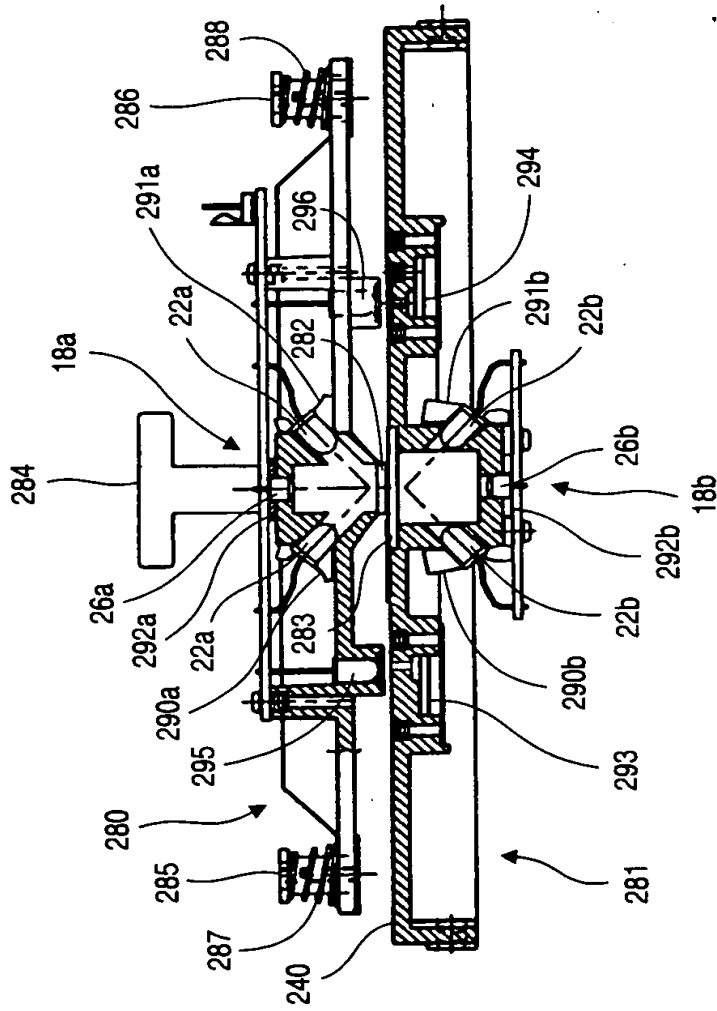


FIG. 14a

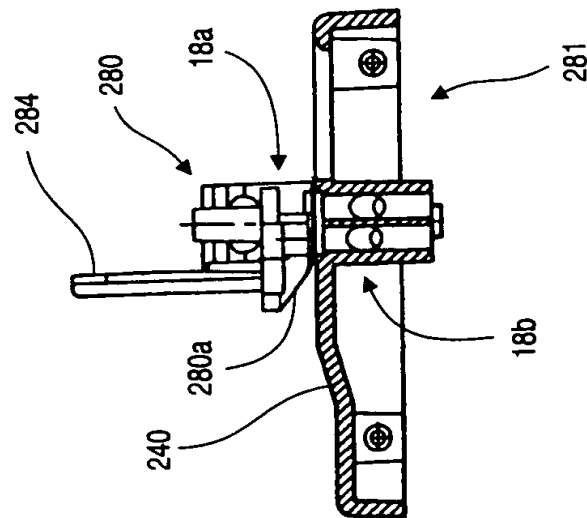


FIG. 14b



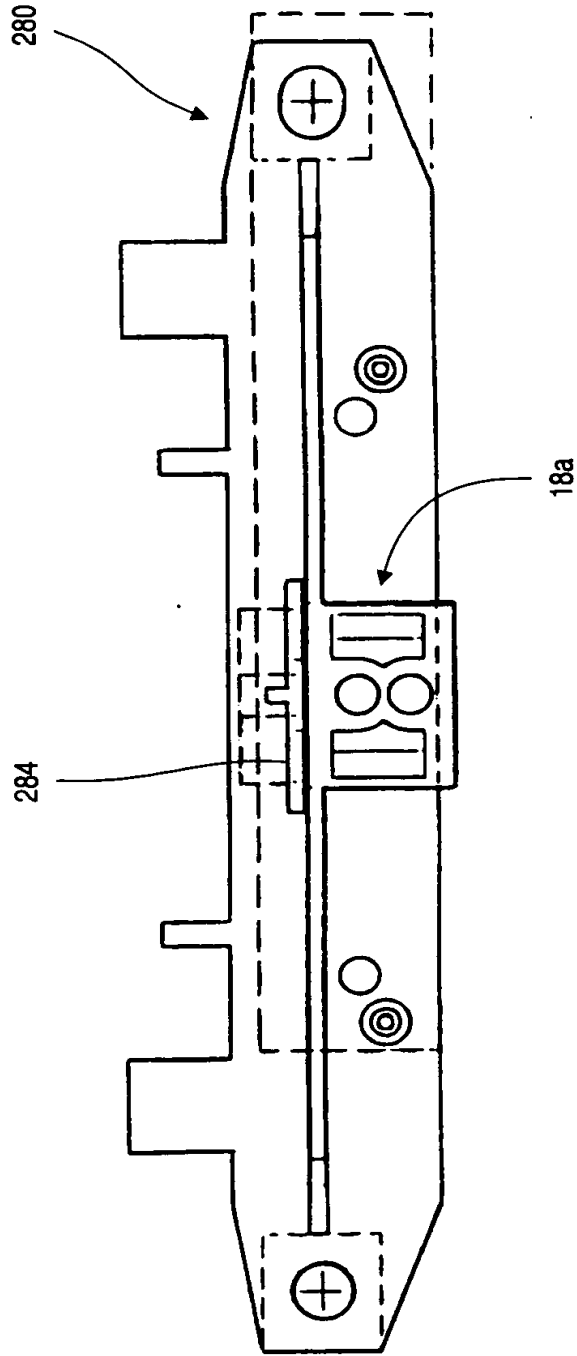


FIG. 15

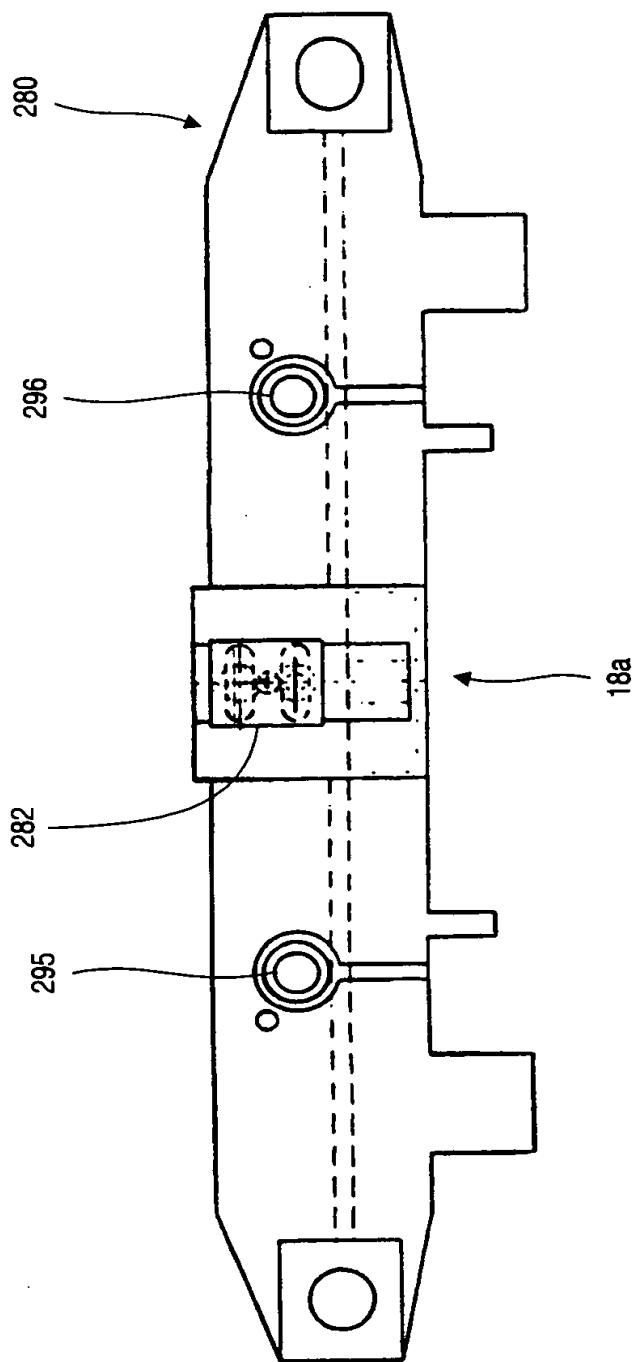


FIG. 16

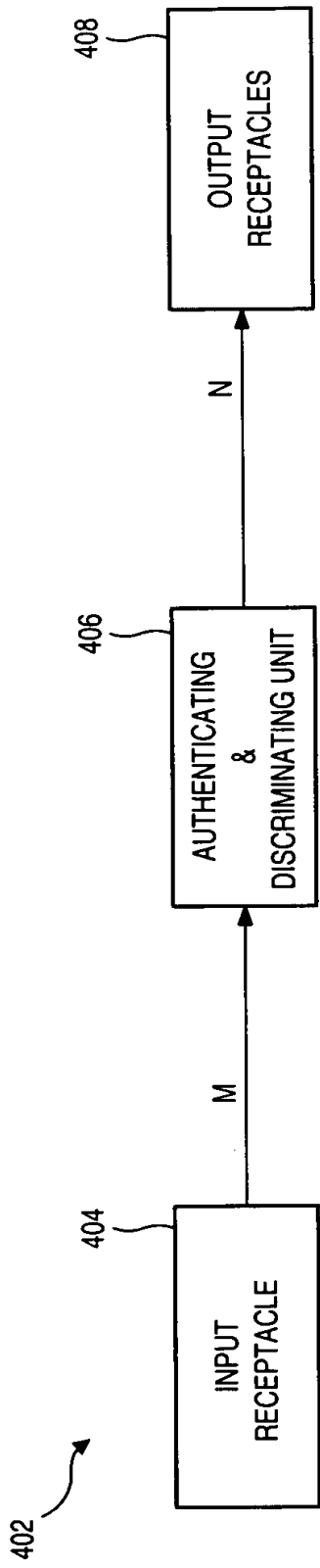


FIG. 17

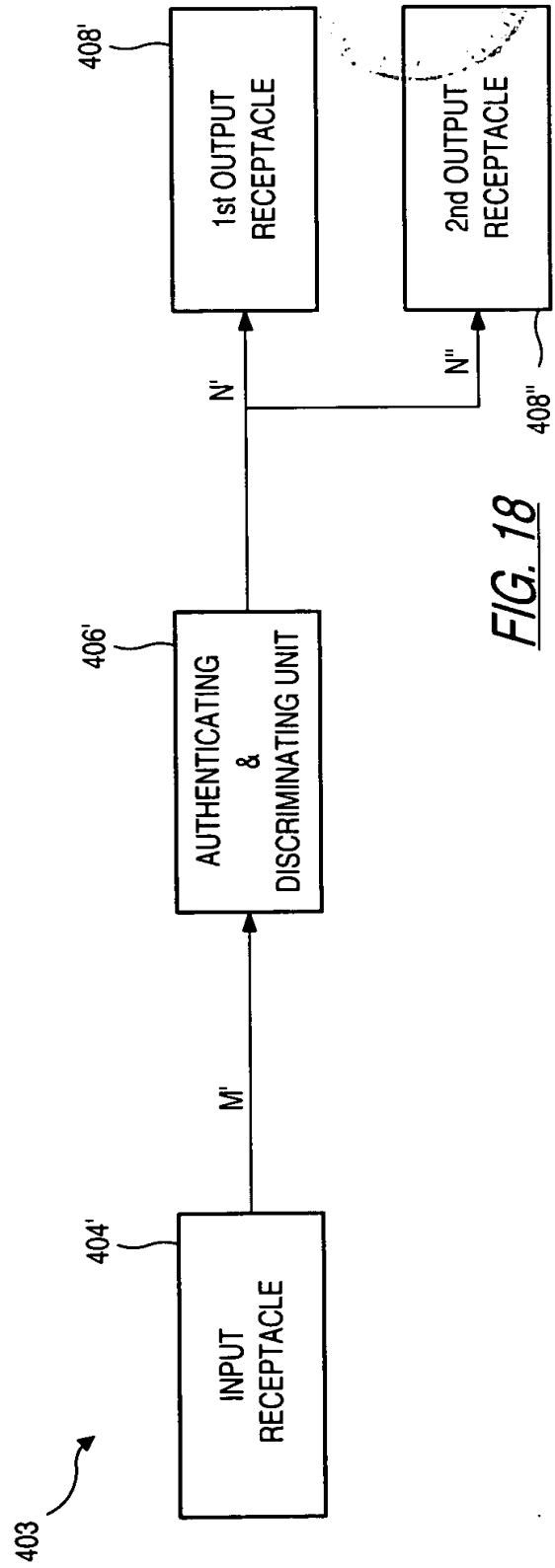


FIG. 18

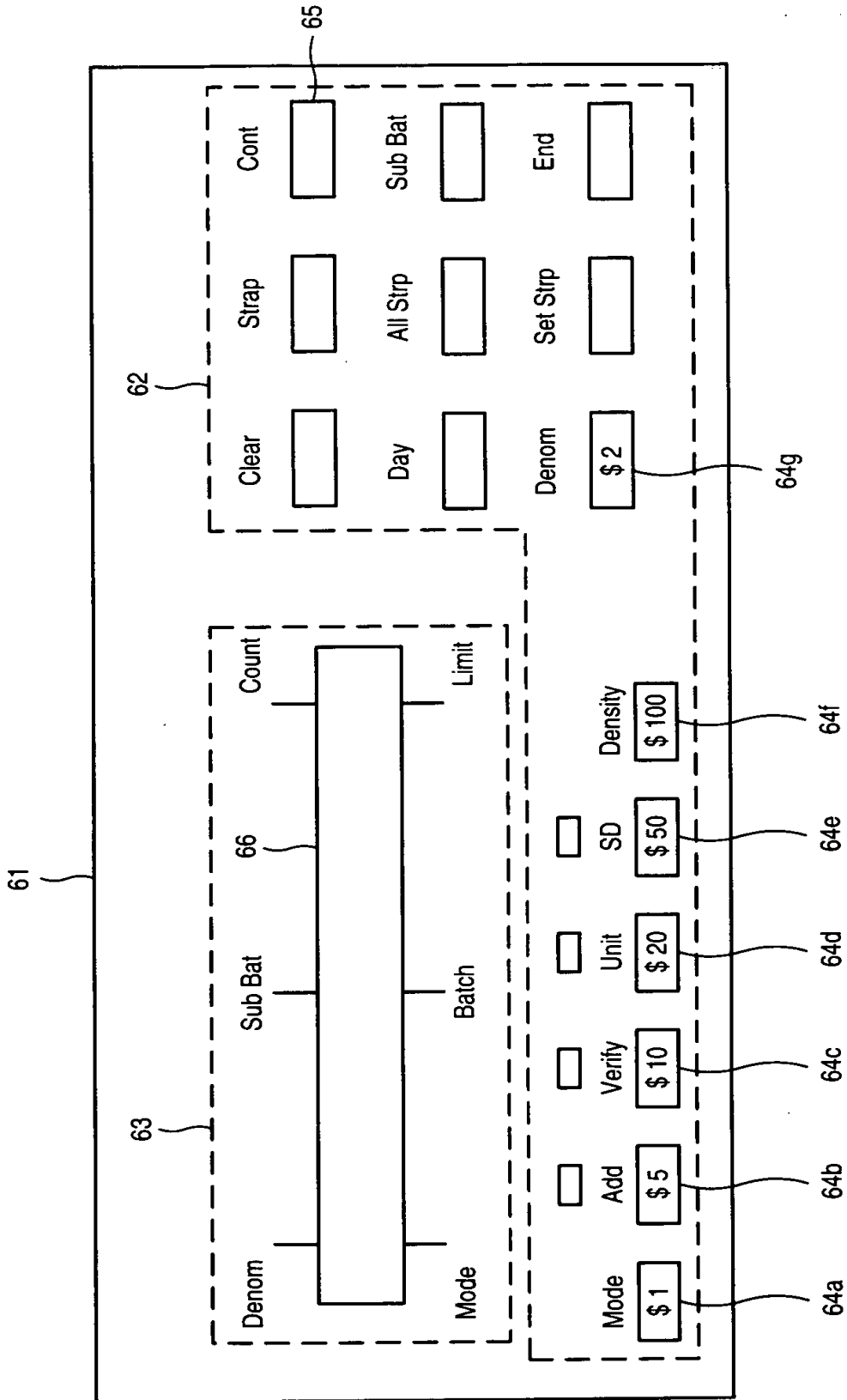


FIG. 19

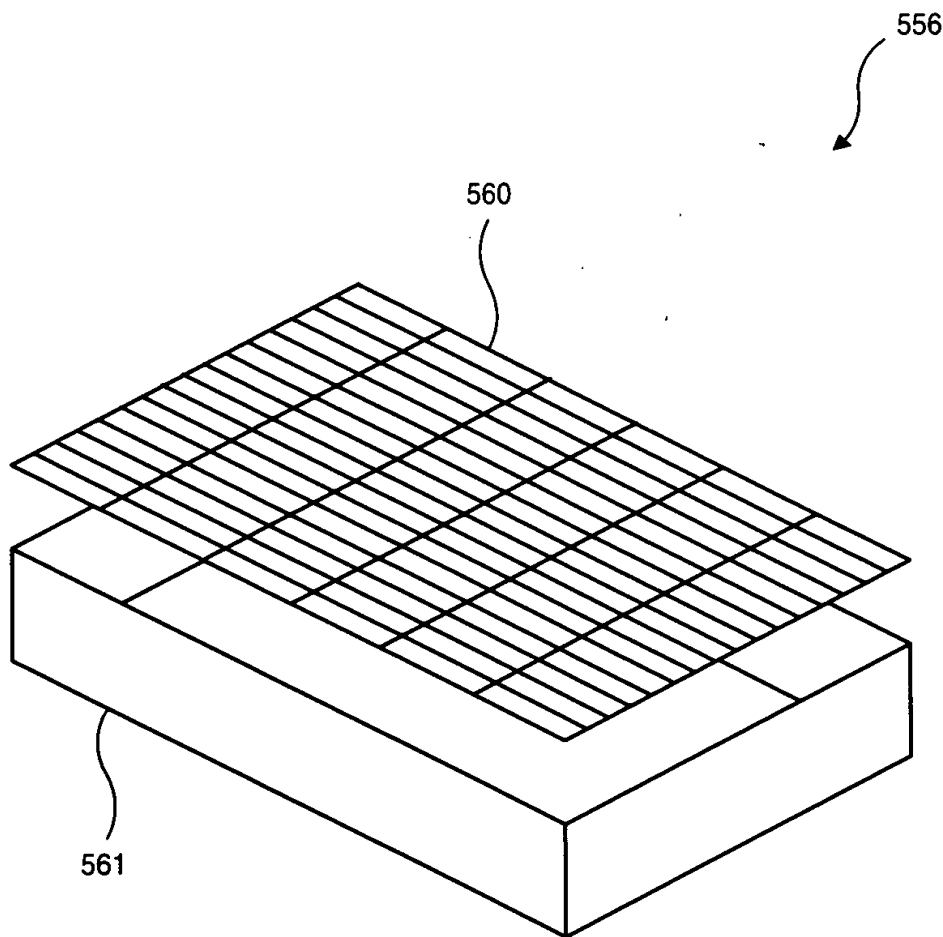
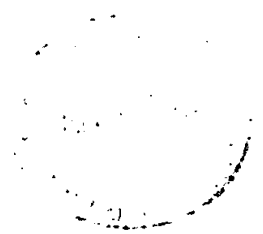
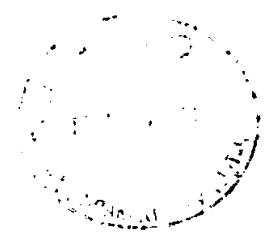


FIG. 20



	S-BAT: \$	50			
	BAT: \$	50			
	MODE: POCKET 1: POCKET 2:	STRANGER 1 \$ 1 OFFSORT		RIGHT	FACE
END	ADD	VERFY	SD	MODE	MENU

610 (points to S-BAT: \$)
 608 (points to 50)
 609 (points to 50)
 606 (points to RIGHT)
 607 (points to FACE)
 600 (points to END)
 611 (points to ADD)
 612 (points to VERFY)
 601 (points to STRANGER 1)
 602 (points to \$ 1)
 603 (points to SD)
 604 (points to MODE)
 605 (points to MENU)

FIG. 21

*	STR1	*	STR2	*	STR FO
*	MIX1	*	MIX2	*	MIX FO
*	SORT1	*	SORT2	*	SORT3
*	SRT FO	*	COUNT	*	
					EXIT

700 (points to * in row 1, col 1)
 702 (points to STR1)
 701 (points to * in row 1, col 3)
 703 (points to STR2)
 710 (points to * in row 1, col 5)
 711 (points to STR FO)
 704 (points to * in row 2, col 1)
 709 (points to MIX1)
 705 (points to * in row 2, col 3)
 707 (points to MIX2)
 706 (points to * in row 2, col 5)
 708 (points to EXIT)

FIG. 22

700 *	702 STR1	701 *	703 STR2	710	711	STR FO
*	MIX1	*	MIX2	*	*	MIX FO
*	SORT1	*	SORT2	*		SORT3
*	SRT FO	*	COUNT			
704	709	712	705	707	713	708
	FACE		ORIENT			EXIT

FIG. 23

800 *	801 BATCH		804 *	805 SUSPECT	DOCUMENT
*	SUB BATCH		*	DENSITY	
*	DAY				
*	STRAP				
802	803		806		807
		UNIT			EXIT

FIG. 24

810

		BATCH	TOTALS		
DENOM		COUNT		VALUE	
\$ 1		57		\$ 57	
\$ 5		100		\$ 500	
\$ 10		3		\$ 30	
\$ 20		50		\$ 1000	
\$ 50		200		\$ 10000	
\$ 100		303		\$ 30300	CLEAR
TOTAL				\$ 41887	
					EXIT

811

FIG. 25

DENOM	UNIT	LIMIT		902	901
\$ 1	22	100			
\$ 2	28	100			
\$ 5	38	100			
\$ 10	26	50		DOWN	UP
\$ 20	36	50			
\$ 50	32	50			
\$ 100	30	50			
				CLEAR	ALL
5	10	20	25	+	UNIT
50	75	100	OFF	:	EXIT

903a 903b 903c 903d 906 905 908 909

903e 903f 903g 910 904 907

FIG. 26

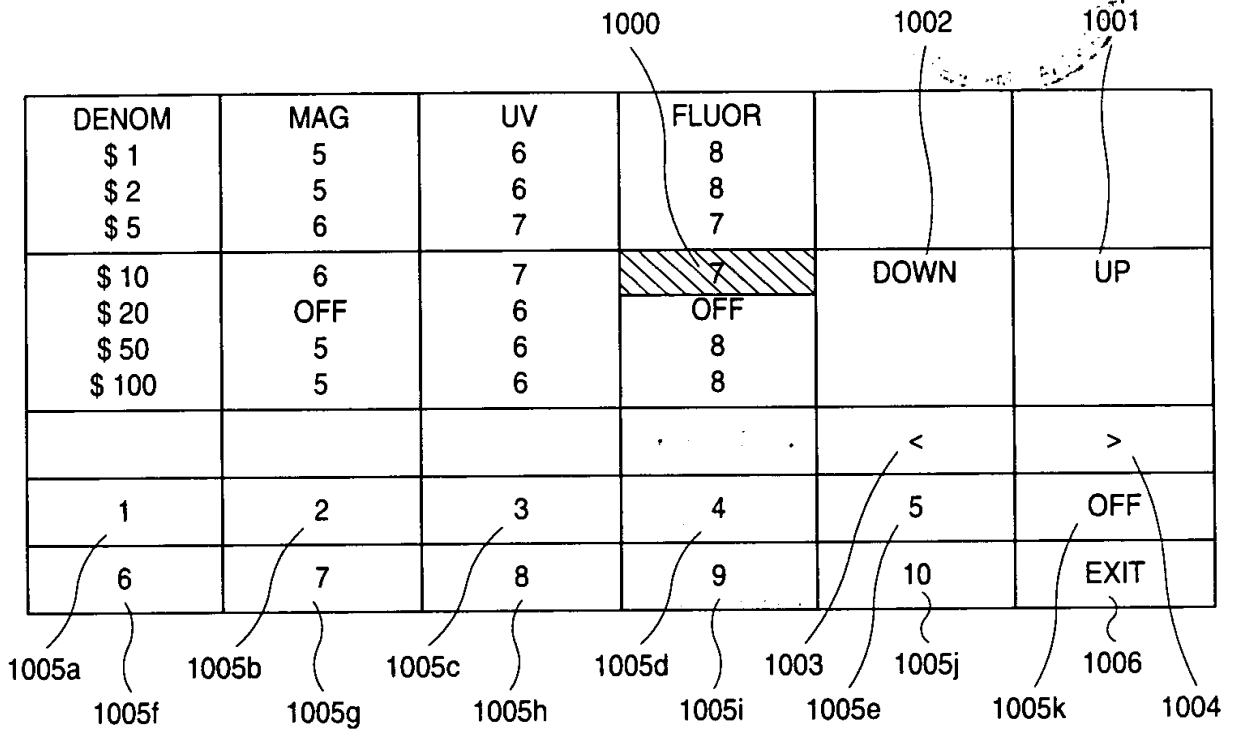


FIG. 27

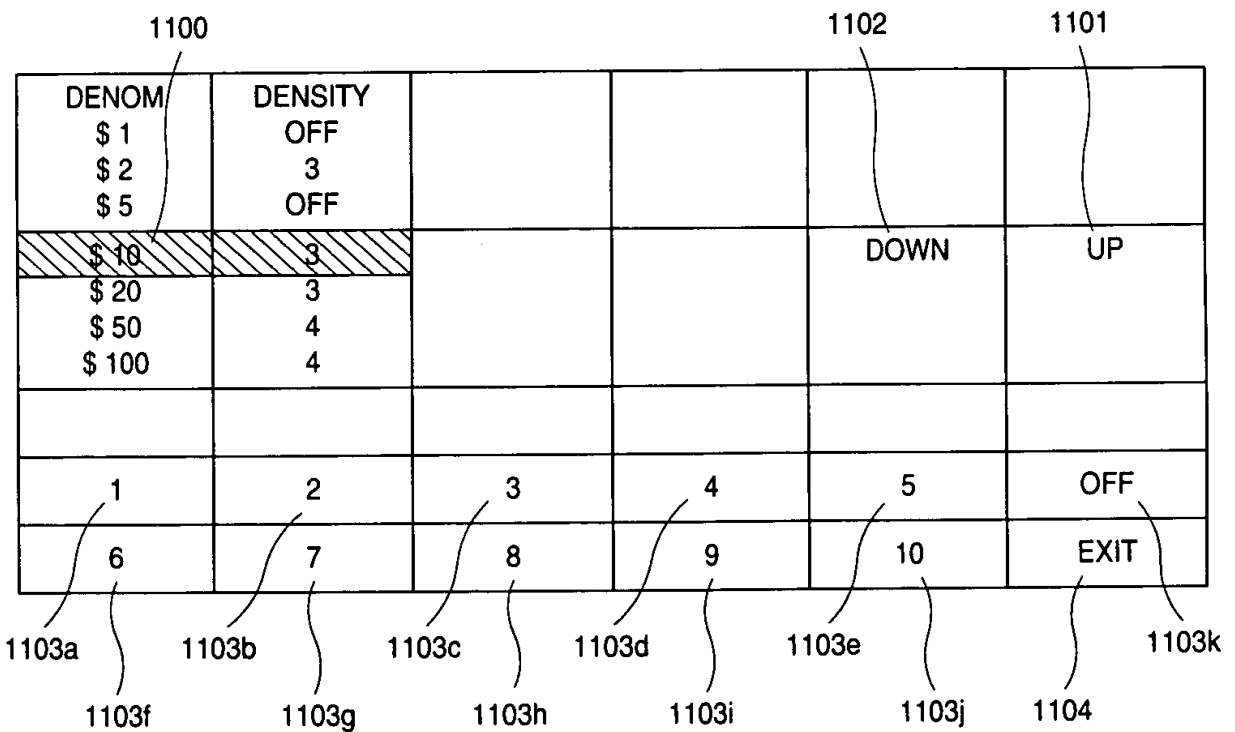


FIG. 28



STRAP	LIMIT	POCKET	1		
REMOVE	NOTES	AND	PRESS	CONT.	
		CONT			

1200

FIG. 29

NO	CALL	PRESS	KEY:		
\$ 1	\$ 2	\$ 5	\$ 10	\$ 20	\$ 50
\$ 100					
					CONT.

1300g

1300a

1300b

1300c

1300d

1300e

1300f

1301

FIG. 30

MODE STRAP	LIMIT	: STR 1 : 100	SUB-	BATCH	\$ 525
STRAP DENOM	COUNT	: 50 : \$ 1		BATCH	\$ 1500
LABEL	ID	MEDIA	DATE	DBAL	
					EXIT

1401 1402 1403 1404 1405 1406

1407 1408 1409 1410 1411 1412

FIG. 31

COIN		CHECK		MISC	
					EXIT

1501 1502 1503

1504

FIG. 32

ENTER	VALUE	:	1511		
		\$0.00			
EXIT					

1510

1514

FIG. 33

7	8	9
4	5	6
1	2	3
CLEAR	0	ENTER

1513

1512

FIG. 34

MODE: _____



	C1	C2	C3
	SELECTION		OPTIONS
TARGET 1 (POCKET 1)			
R1	DENOM. ?		OFF / 1st BILL / US / ALL \$1 / \$2 / \$5 / \$10 / \$20 / \$50 / \$100
R2	FACE ?		OFF / 1st BILL / FACE UP / FACE DOWN / US
R3	ORIENTATION ?		OFF / 1st BILL / FORWARD / REVERSE / US
R4	SERIES ?		OFF / 1st BILL / DEFINED - GROUPS / US
R5	UPDATE ?		YES / NO
TARGET 2 (POCKET 2)			
R6	DENOM. ?		OFF / 1st BILL / US / ALL \$1 / \$2 / \$5 / \$10 / \$20 / \$50 / \$100
R7	FACE ?		OFF / 1st BILL / FACE UP / FACE DOWN / US
R8	ORIENTATION ?		OFF / 1st BILL / FORWARD / REVERSE / US
R9	SERIES ?		OFF / 1st BILL / DEFINED - GROUPS / US
R10	UPDATE ?		YES / NO
R11	STRANGER (S)		P1 / P2 / CONT - 2 / ST
R12	DENOM CHANGE (DC)		P1 / P2 / CONT - 2 / ST
R13	NO CALL (NC)		P1 / P2 / CONT - 2
R14	SUSPECT DOC. (SD)		P1 / P2 / CONT - 2
R15	IMPROPER SIZE (SZ)		P1 / P2 / CONT - 2
R16	UNFIT DOC. (UD)		P1 / P2 / CONT - 2
R17	REVERSE FACED (RF)		P1 / P2 / CONT - 2
R18	REV. ORIENTED (RO)		P1 / P2 / CONT - 2
R19	SEP. SERIES (SS)		P1 / P2 / CONT - 2 / ST
R20	STACKER FULL (SF)		STOP / SWITCH
R21	STRAP LIMIT (SL)		STOP / SWITCH / COMBINE P1 + P2
R22	CHAIN (C)		STOP - 1 / STOP - 2
R23	DOUBLE (D)		STOP - 1 / STOP - 2

FIG. 35

MODE: STRANGER FACING

	C1	C2	C3
	SELECTION	OPTIONS	
TARGET 1 (POCKET 1)			
R1	DENOM. ?	1st BILL	OFF / 1st BILL / US / ALL \$1 / \$2 / \$5 / \$10 / \$20 / \$50 / \$100
R2	FACE ?	1st BILL	OFF / 1st BILL / FACE UP / FACE DOWN / US
R3	ORIENTATION ?	OFF	OFF / 1st BILL / FORWARD / REVERSE / US
R4	SERIES ?	OFF	OFF / 1st BILL / DEFINED - GROUPS / US
R5	UPDATE ?	NO	YES / NO
TARGET 2 (POCKET 2)			
R6	DENOM. ?	—	OFF / 1st BILL / US / ALL \$1 / \$2 / \$5 / \$10 / \$20 / \$50 / \$100
R7	FACE ?	—	OFF / 1st BILL / FACE UP / FACE DOWN / US
R8	ORIENTATION ?	—	OFF / 1st BILL / FORWARD / REVERSE / US
R9	SERIES ?	—	OFF / 1st BILL / DEFINED - GROUPS / US
R10	UPDATE ?	—	YES / NO
R11	STRANGER (S)	P2	P1 / P2 / CONT - 2 / ST
R12	DENOM CHANGE (DC)	—	P1 / P2 / CONT - 2 / ST
R13	NO CALL (NC)	P2	P1 / P2 / CONT - 2
R14	SUSPECT DOC. (SD)	P2	P1 / P2 / CONT - 2
R15	IMPROPER SIZE (SZ)	P2	P1 / P2 / CONT - 2
R16	UNFIT DOC. (UD)	P2	P1 / P2 / CONT - 2
R17	REVERSE FACED (RF)	C2	P1 / P2 / CONT - 2
R18	REV. ORIENTED (RO)	—	P1 / P2 / CONT - 2
R19	SEP. SERIES (SS)	—	P1 / P2 / CONT - 2 / ST
R20	STACKER FULL (SF)	STOP	STOP / SWITCH
R21	STRAP LIMIT (SL)	COMBINE	STOP / SWITCH / COMBINE P1 + P2
R22	CHAIN (C)	STOP - 2	STOP - 1 / STOP - 2
R23	DOUBLE (D)	STOP - 2	STOP - 1 / STOP - 2

FIG. 36

MODE: SORT 3

	C1	C2	C3
	SELECTION		OPTIONS
TARGET 1 (POCKET 1)			
R1	DENOM. ?	\$5	OFF / 1st BILL / US / ALL \$1 / \$2 / \$5 / \$10 / \$20 / \$50 / \$100
R2	FACE ?	OFF	OFF / 1st BILL / FACE UP / FACE DOWN / US
R3	ORIENTATION ?	OFF	OFF / 1st BILL / FORWARD / REVERSE / US
R4	SERIES ?	OFF	OFF / 1st BILL / DEFINED - GROUPS / US
R5	UPDATE ?	NO	YES / NO
TARGET 2 (POCKET 2)			
R6	DENOM. ?	1st BILL	OFF / 1st BILL / US / ALL \$1 / \$2 / \$5 / \$10 / \$20 / \$50 / \$100
R7	FACE ?	OFF	OFF / 1st BILL / FACE UP / FACE DOWN / US
R8	ORIENTATION ?	OFF	OFF / 1st BILL / FORWARD / REVERSE / US
R9	SERIES ?	OFF	OFF / 1st BILL / DEFINED - GROUPS / US
R10	UPDATE ?	YES	YES / NO
R11	STRANGER (S)	—	P1 / P2 / CONT - 2 / ST
R12	DENOM CHANGE (DC)	P2	P1 / P2 / CONT - 2 / ST
R13	NO CALL (NC)	P2	P1 / P2 / CONT - 2
R14	SUSPECT DOC. (SD)	P2	P1 / P2 / CONT - 2
R15	IMPROPER SIZE (SZ)	P2	P1 / P2 / CONT - 2
R16	UNFIT DOC. (UD)	P2	P1 / P2 / CONT - 2
R17	REVERSE FACED (RF)	—	P1 / P2 / CONT - 2
R18	REV. ORIENTED (RO)	—	P1 / P2 / CONT - 2
R19	SEP. SERIES (SS)	—	P1 / P2 / CONT - 2 / ST
R20	STACKER FULL (SF)	STOP	STOP / SWITCH
R21	STRAP LIMIT (SL)	STOP	STOP / SWITCH / COMBINE P1 + P2
R22	CHAIN (C)	STOP - 2	STOP - 1 / STOP - 2
R23	DOUBLE (D)	STOP - 2	STOP - 1 / STOP - 2

FIG. 37

MODE: USER - DEFINED 1

	C1	C2	C3
	SELECTION	OPTIONS	
TARGET 1 (POCKET 1)			
R1	DENOM. ?	\$100	OFF / 1st BILL / ALL \$1 / \$2 / \$5 / \$10 / \$20 / \$50 / \$100
R2	FACE ?	FACE UP	OFF / 1st BILL / FACE UP / FACE DOWN / US
R3	ORIENTATION ?	OFF	OFF / 1st BILL / FORWARD / REVERSE / US
R4	SERIES ?	1996 +	OFF / 1st BILL / DEFINED - GROUPS / US
R5	UPDATE ?	NO	YES / NO
TARGET 2 (POCKET 2)			
R6	DENOM. ?	\$100	OFF / 1st BILL / ALL \$1 / \$2 / \$5 / \$10 / \$20 / \$50 / \$100
R7	FACE ?	FACE DOWN	OFF / 1st BILL / FACE UP / FACE DOWN / US
R8	ORIENTATION ?	OFF	OFF / 1st BILL / FORWARD / REVERSE / US
R9	SERIES ?	1995 -	OFF / 1st BILL / DEFINED - GROUPS / US
R10	UPDATE ?	NO	YES / NO
R11	STRANGER (S)	P2	P1 / P2 / CONT - 2 / ST
R12	DENOM CHANGE (DC)	——	P1 / P2 / CONT - 2 / ST
R13	NO CALL (NC)	P2	P1 / P2 / CONT - 2
R14	SUSPECT DOC. (SD)	P2	P1 / P2 / CONT - 2
R15	IMPROPER SIZE (SZ)	P2	P1 / P2 / CONT - 2
R16	UNFIT DOC. (UD)	P2	P1 / P2 / CONT - 2
R17	REVERSE FACED (RF)	P2	P1 / P2 / CONT - 2
R18	REV. ORIENTED (RO)	——	P1 / P2 / CONT - 2
R19	SEP. SERIES (SS)	P2	P1 / P2 / CONT - 2 / ST
R20	STACKER FULL (SF)	STOP	STOP / SWITCH
R21	STRAP LIMIT (SL)	STOP	STOP / SWITCH / COMBINE P1 + P2
R22	CHAIN (C)	STOP - 2	STOP - 1 / STOP - 2
R23	DOUBLE (D)	STOP - 2	STOP - 1 / STOP - 2

FIG. 38

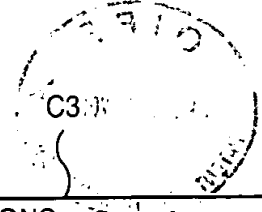
MODE: USER - DEFINED 2



		C1	C2	C3
		SELECTION		OPTIONS
TARGET 1 (POCKET 1)				
R1	DENOM. ?	ALL		OFF / 1st BILL / US / ALL \$1 / \$2 / \$5 / \$10 / \$20 / \$50 / \$100
R2	FACE ?	OFF		OFF / 1st BILL / FACE UP / FACE DOWN / US
R3	ORIENTATION ?	OFF		OFF / 1st BILL / FORWARD / REVERSE / US
R4	SERIES ?	OFF		OFF / 1st BILL / DEFINED - GROUPS / US
R5	UPDATE ?	—		YES / NO
TARGET 2 (POCKET 2)				
R6	DENOM. ?	OFF		OFF / 1st BILL / US / ALL \$1 / \$2 / \$5 / \$10 / \$20 / \$50 / \$100
R7	FACE ?	OFF		OFF / 1st BILL / FACE UP / FACE DOWN / US
R8	ORIENTATION ?	OFF		OFF / 1st BILL / FORWARD / REVERSE / US
R9	SERIES ?	OFF		OFF / 1st BILL / DEFINED - GROUPS / US
R10	UPDATE ?	—		YES / NO
R11	STRANGER (S)	—		P1 / P2 / CONT - 2 / ST
R12	DENOM CHANGE (DC)	—		P1 / P2 / CONT - 2 / ST
R13	NO CALL (NC)	P1		P1 / P2 / CONT - 2
R14	SUSPECT DOC. (SD)	P2		P1 / P2 / CONT - 2
R15	IMPROPER SIZE (SZ)	P2		P1 / P2 / CONT - 2
R16	UNFIT DOC. (UD)	P2		P1 / P2 / CONT - 2
R17	REVERSE FACED (RF)	—		P1 / P2 / CONT - 2
R18	REV. ORIENTED (RO)	—		P1 / P2 / CONT - 2
R19	SEP. SERIES (SS)	—		P1 / P2 / CONT - 2 / ST
R20	STACKER FULL (SF)	STOP		STOP / SWITCH
R21	STRAP LIMIT (SL)	STOP		STOP / SWITCH / COMBINE P1 + P2
R22	CHAIN (C)	STOP-1		STOP - 1 / STOP - 2
R23	DOUBLE (D)	STOP-1		STOP - 1 / STOP - 2

FIG 30

MODE: USER - DEFINED 3



C1

C2

		SELECTION	OPTIONS
TARGET 1 (POCKET 1)			
R1	DENOM. ?	OFF	OFF / 1st BILL / US / ALL \$1 / \$2 / \$5 / \$10 / \$20 / \$50 / \$100
R2	FACE ?	OFF	OFF / 1st BILL / FACE UP / FACE DOWN / US
R3	ORIENTATION ?	OFF	OFF / 1st BILL / FORWARD / REVERSE / US
R4	SERIES ?	OFF	OFF / 1st BILL / DEFINED - GROUPS / US
R5	UPDATE ?	—	YES / NO
TARGET 2 (POCKET 2)			
R6	DENOM. ?	ALL	OFF / 1st BILL / US / ALL \$1 / \$2 / \$5 / \$10 / \$20 / \$50 / \$100
R7	FACE ?	OFF	OFF / 1st BILL / FACE UP / FACE DOWN / US
R8	ORIENTATION ?	OFF	OFF / 1st BILL / FORWARD / REVERSE / US
R9	SERIES ?	OFF	OFF / 1st BILL / DEFINED - GROUPS / US
R10	UPDATE ?	—	YES / NO
R11	STRANGER (S)	—	P1 / P2 / CONT - 2 / ST
R12	DENOM CHANGE (DC)	—	P1 / P2 / CONT - 2 / ST
R13	NO CALL (NC)	P2	P1 / P2 / CONT - 2
R14	SUSPECT DOC. (SD)	P1	P1 / P2 / CONT - 2
R15	IMPROPER SIZE (SZ)	P1	P1 / P2 / CONT - 2
R16	UNFIT DOC. (UD)	P1	P1 / P2 / CONT - 2
R17	REVERSE FACED (RF)	—	P1 / P2 / CONT - 2
R18	REV. ORIENTED (RO)	—	P1 / P2 / CONT - 2
R19	SEP. SERIES (SS)	—	P1 / P2 / CONT - 2 / ST
R20	STACKER FULL (SF)	STOP	STOP / SWITCH
R21	STRAP LIMIT (SL)	STOP	STOP / SWITCH / COMBINE P1 + P2
R22	CHAIN (C)	STOP-1	STOP - 1 / STOP - 2
R23	DOUBLE (D)	STOP-1	STOP - 1 / STOP - 2

FIG 40

2-POCKET							
POCKET DELIVERY / STOPPING CONDITIONS							
	STR 1	STR 2	STR FO	SRT 1	SRT 2	SRT 3	SRT FO
POCKET 1	TARGET NOTE	TARGET NOTE	TARGET NOTE FACE / ORIENT	TARGET NOTE 1 WITH AUTOMATIC DENOMINATION CHANGE	TARGET NOTE	TARGET NOTE 1	TARGET NOTE FACE / ORIENT
STOP CONDITION	C, SL, D, SF, J; OPTIONAL: S, NC, SS, SD	C, SL, D, SF, S, NC, J, SD; OPTIONAL: SS	C, SF, J, D, SD, NC, S; SL COMBINE POCKETS; OPTIONAL: SS	C, SF, SL, J, D, NC, SD, DC; OPTIONAL: SS	C, SF, J, D, DC; OPTIONAL: NC, SS, SD	C, SF, J, SL, D, NC, SD; OPTIONAL: SS	C, SF, J, D, SD, NC, DC; SL COMBINE POCKETS; OPTIONAL: SS
POCKET 2	TARGET NOTE	TARGET NOTE	TARGET NOTE UNFACED / NON-ORIENTED	TARGET NOTE 2 WITH AUTOMATIC DENOMINATION CHANGE	TARGET NOTE	TARGET NOTE	TARGET NOTE UNFACED / NON-ORIENTED
STOP CONDITION	OPTIONAL: S, NC, SS, SD	C, SL, D, SF, S, NC, J, SD; OPTIONAL: SS	C, SF, J, D, SD, NC, S; SL COMBINE POCKETS; OPTIONAL: SS	C, SF, SL, J, D, NC, SD, DC; OPTIONAL: SS	OPTIONAL: NC, SS, SD	C, SF, SL, J, D, NC, SD, DC; OPTIONAL: SS	C, SF, J, D, SD, NC, DC; SL COMBINE POCKETS; OPTIONAL: SS

FIG. 41

2-POCKET POCKET DELIVERY / STOPPING CONDITIONS					
		MIX 1	MIX 2	MIX FO	CNT
POCKET 1	NOTE	MIXED NOTES	MIXED NOTES	FACE / ORIENT	NOTES
	STOP CONDITION	C, D, SF, J OPTIONAL: NC, SD	C, D, SF, J, NC, SD	C, SF, J, D, SD, NC	SF, J, SL, C, D, SD
POCKET 2	NOTE	NONE	MIXED NOTES	UNFACED / NON-ORIENTED	NOTES
	STOP CONDITION	OPTIONAL: NC, SD	C, D, SF, J, NC, SD	C, SF, J, D, SD, NC	SF, J, SL, C, D, SD